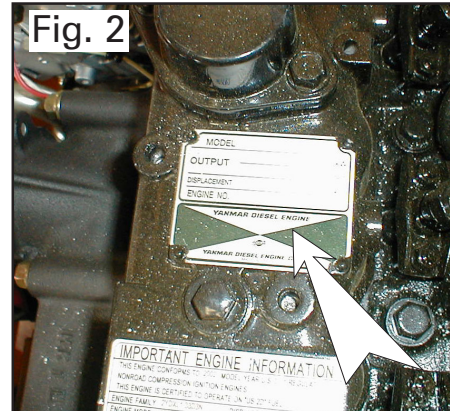
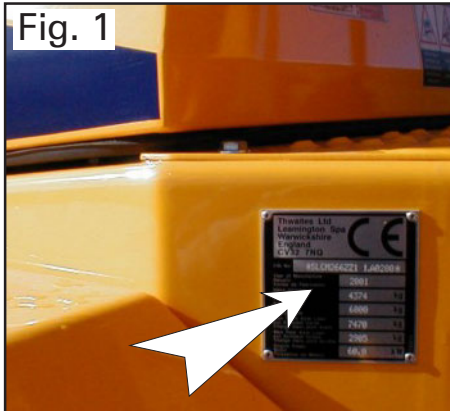


Thwaites**378 - HI SWIVEL****allparts****Thwaites**
allparts

Thwaites Ltd
Leamington Spa
Warwickshire
CV32 7NQ
Tel +44 (0)1926 422471
Fax +44 (0)1926 450458
www.thwaitesdumpers.co.uk

FROM VIN No. A4506**DATED** 28th APRIL 2004**VIN No.** A _____**ENGINE BUILD No.** 3TNV88-XWA**PAYLOAD** 1.5 TONNE**SKIP** HI SWIVEL**TRANSMISSION** HYDROSTATIC**TYPE** MACH 378**PREFIX No.** 04

MACHINE IDENTIFICATION



Serial Numbers

Note machine serial numbers. Always quote them in communication with Thwaites dealer or Head Office.

Model Type (Fig 1.)

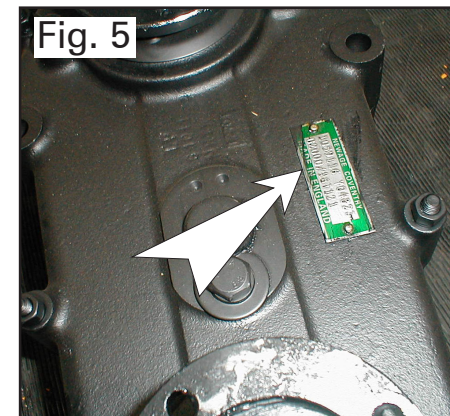
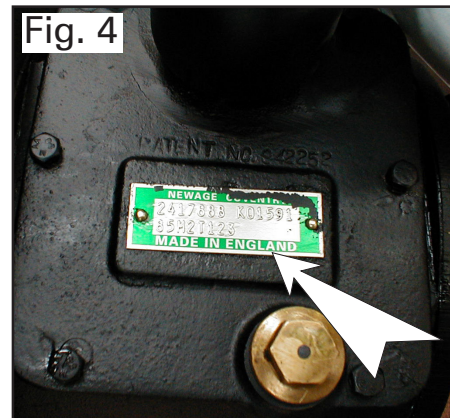
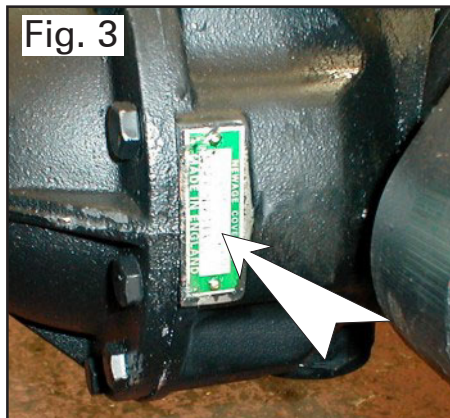
Vin N° (Fig. 1)

Engine Serial N° (Fig. 2)

Axle Serial N° (Fig. 3) Front
Rear

Gearbox N° (Fig. 4)

Transfer Box N° (Fig. 5)



VEHICLE IDENTIFICATION NUMBER - (VIN)

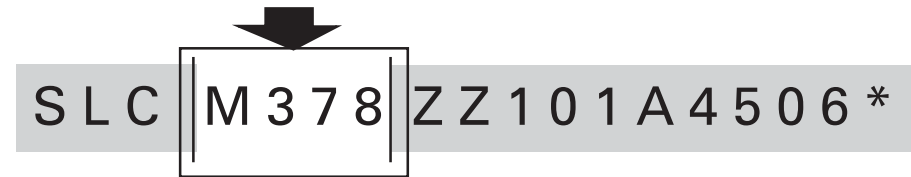
Thwaites have now adopted the international identification system known as VEHICLE IDENTIFICATION NUMBER normally referred to as VIN.



The VIN number incorporates a number of security features and also the machine model and individual serial number.

Important note: *Do not use this parts manual to order replacement spares if the prefix level of your machine is higher than the number quoted at the front of this parts manual.*

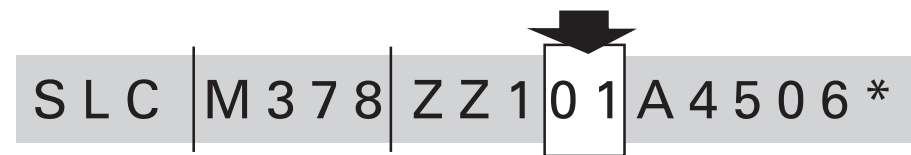
When ordering replacement spares it is important that the model or MACH number is used to identify the correct parts manual.



The year of manufacture:



The Machine Parts Manual issue level denoted by the two digit Prefix Number:

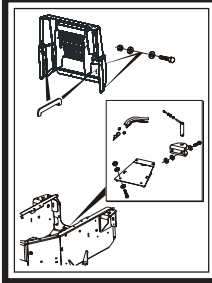


The unique machine serial number:



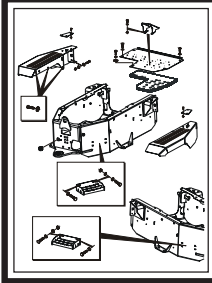
Please ensure that these numbers are quoted in all correspondence with your Thwaites distributor.

REAR COVER ASSEMBLY



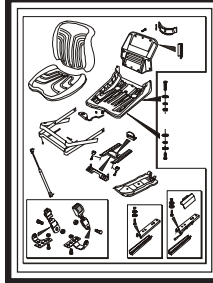
PAGE 1

REAR CHASSIS ASSEMBLY



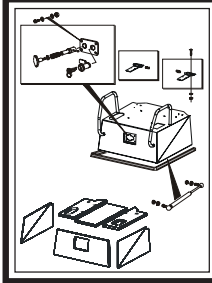
PAGE 2

SEAT ASSEMBLY



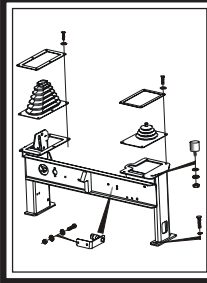
PAGE 3

ENGINE COVER ASSEMBLY



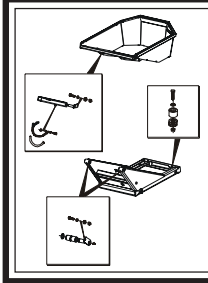
PAGE 4

CROSS BRACE ASSEMBLY



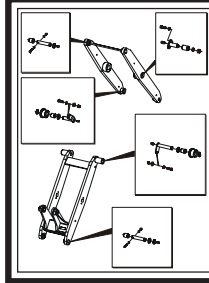
PAGE 5

SKIP & UPPER SUB CHASSIS



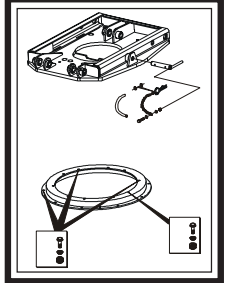
PAGE 6

SCISSOR FRAME



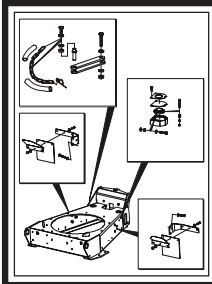
PAGE 7

LOWER SUB CHASSIS



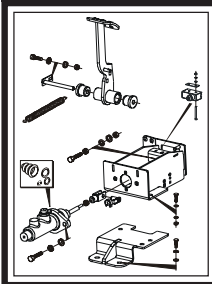
PAGE 8

FRONT CHASSIS ASSEMBLY



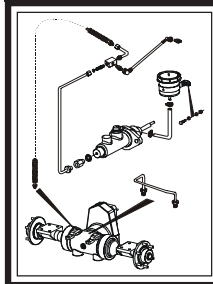
PAGE 9

BRAKE PEDAL ASSEMBLY



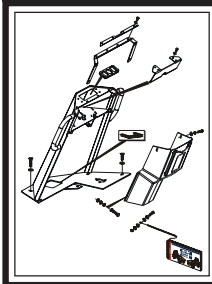
PAGE 10

BRAKE CIRCUIT



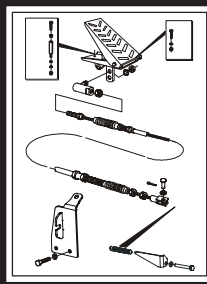
PAGE 11

LEG GUARD ASSEMBLY



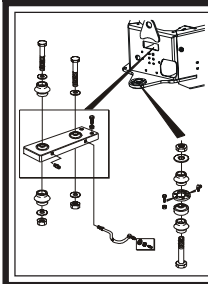
PAGE 12

THROTTLE ASSEMBLY



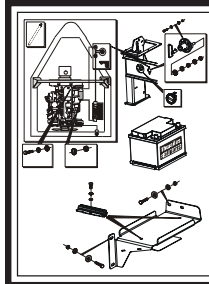
PAGE 13

KINGLINK ASSEMBLY



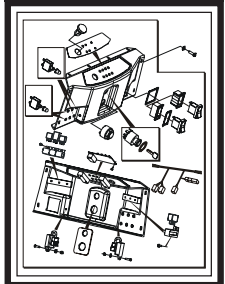
PAGE 14

BATTERY BOX ASSEMBLY



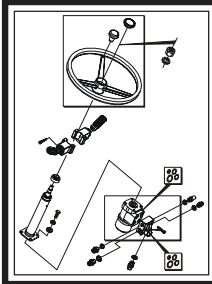
PAGE 15

DASH PANEL ASSEMBLY



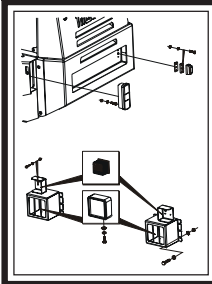
PAGE 16

STEERING ASSEMBLY



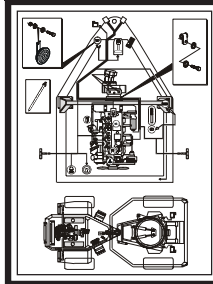
PAGE 17

FRONT & REAR LIGHT ASSY.



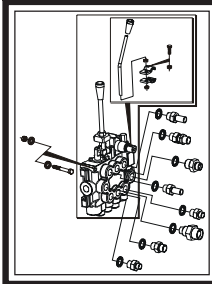
PAGE 18

ENGINE & LIGHT HARNESS



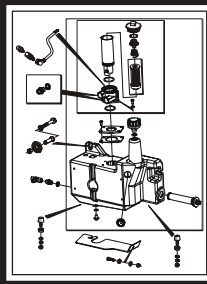
PAGE 19

TIPPING VALVE ASSEMBLY



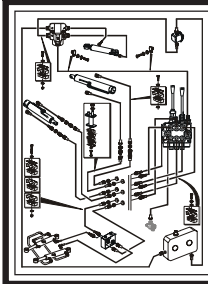
PAGE 20

HYD. TANK ASSEMBLY



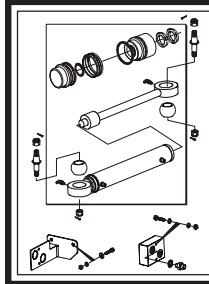
PAGE 21 & 22

HYD. CIRCUIT CONTROLS



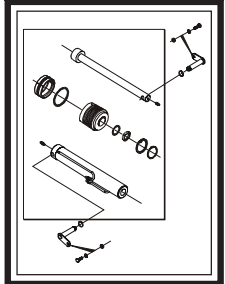
PAGE 23 & 24

SLEW RAM & CROSS RELIEF



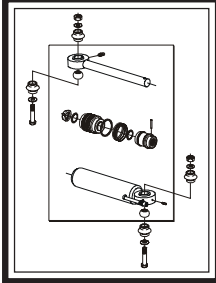
PAGE 25

TIPPING RAM ASSEMBLY



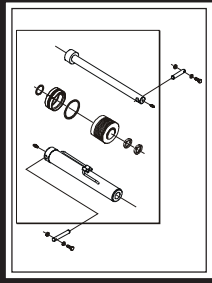
PAGE 26

STEERING RAM ASSEMBLY



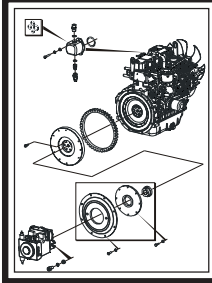
PAGE 27

LIFT RAM ASSEMBLY



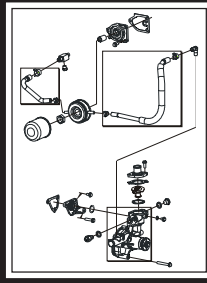
PAGE 28

TRANS. DRIVE & HYD. PUMP



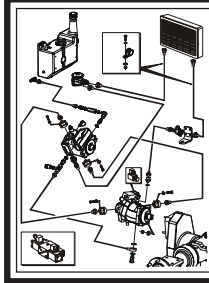
PAGE 29

ENGINE OIL COOLER



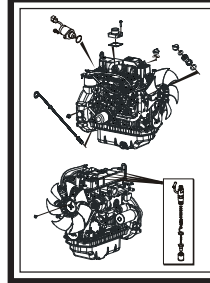
PAGE 30

HYDROSTATIC PUMP & MOTOR



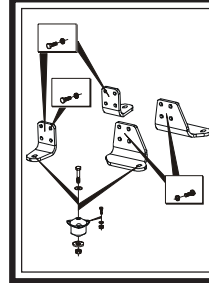
PAGE 31 & 32

ENGINE ACCESSORIES



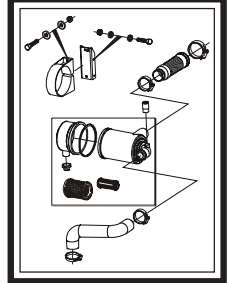
PAGE 33

ENGINE MOUNTINGS



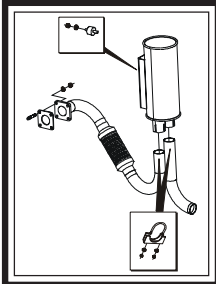
PAGE 34

AIR CLEANER ASSEMBLY



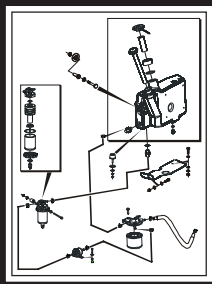
PAGE 35

EXHAUST SYSTEM



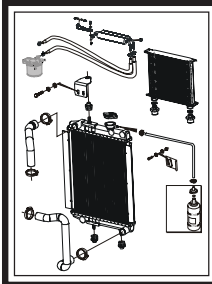
PAGE 36

FUEL TANK ASSEMBLY



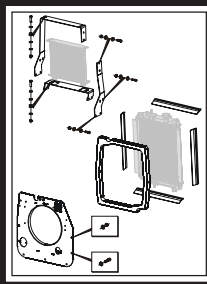
PAGE 37 & 38

RADIATOR & OIL COOLER



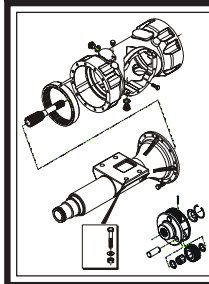
PAGE 39 & 40

COOLER & RAD. FIXINGS



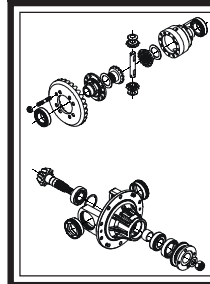
PAGE 41

FRONT AXLE - MAIN CASE



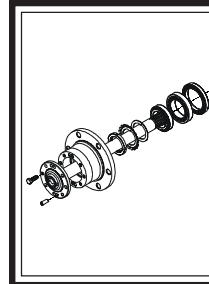
PAGE 42

FRONT AXLE - DIFF ASSEMBLY



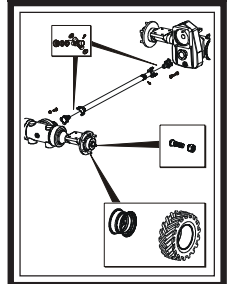
PAGE 43

FRONT AXLE - HUB & ARM



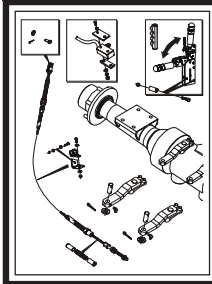
PAGE 44

PROPSHAFTS & WHEEL ASSY.



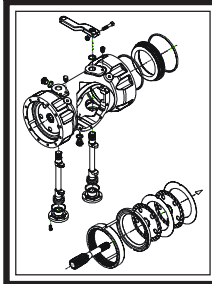
PAGE 45

HANDBRAKE ASSEMBLY



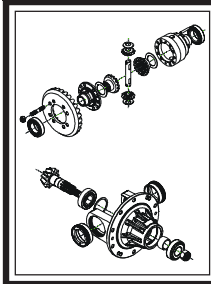
PAGE 46

REAR AXLE - MAIN CASE



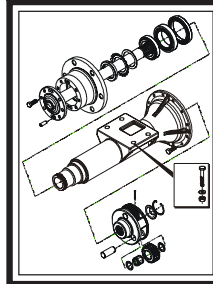
PAGE 47

REAR AXLE - DIFF ASSEMBLY



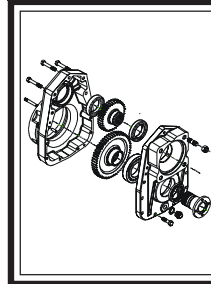
PAGE 48

REAR AXLE - HUB & ARM



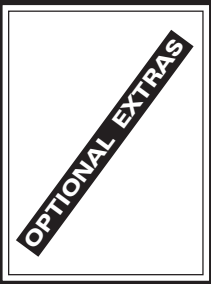
PAGE 49

REAR AXLE - TRANSFER BOX



PAGE 50

OPTIONAL EXTRAS



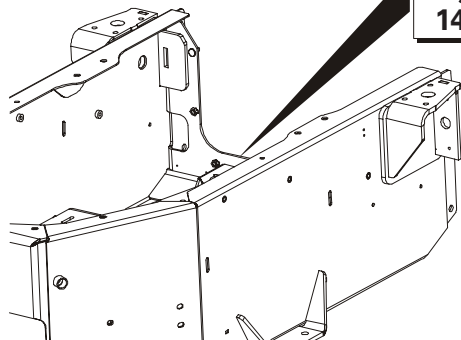
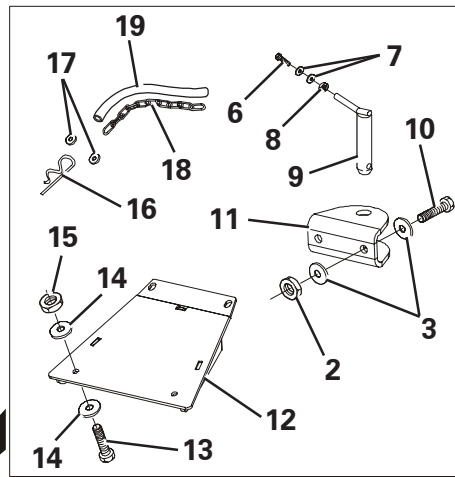
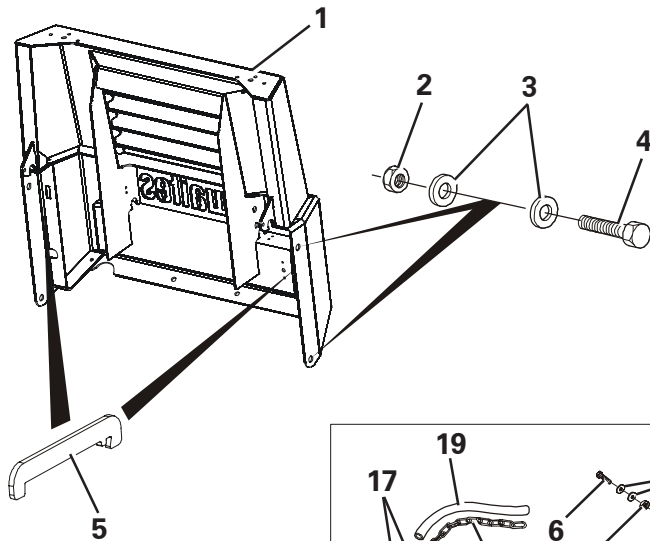
PAGE 51

MODIFICATIONS & ADDITIONS



PAGE 52, 53 & 54

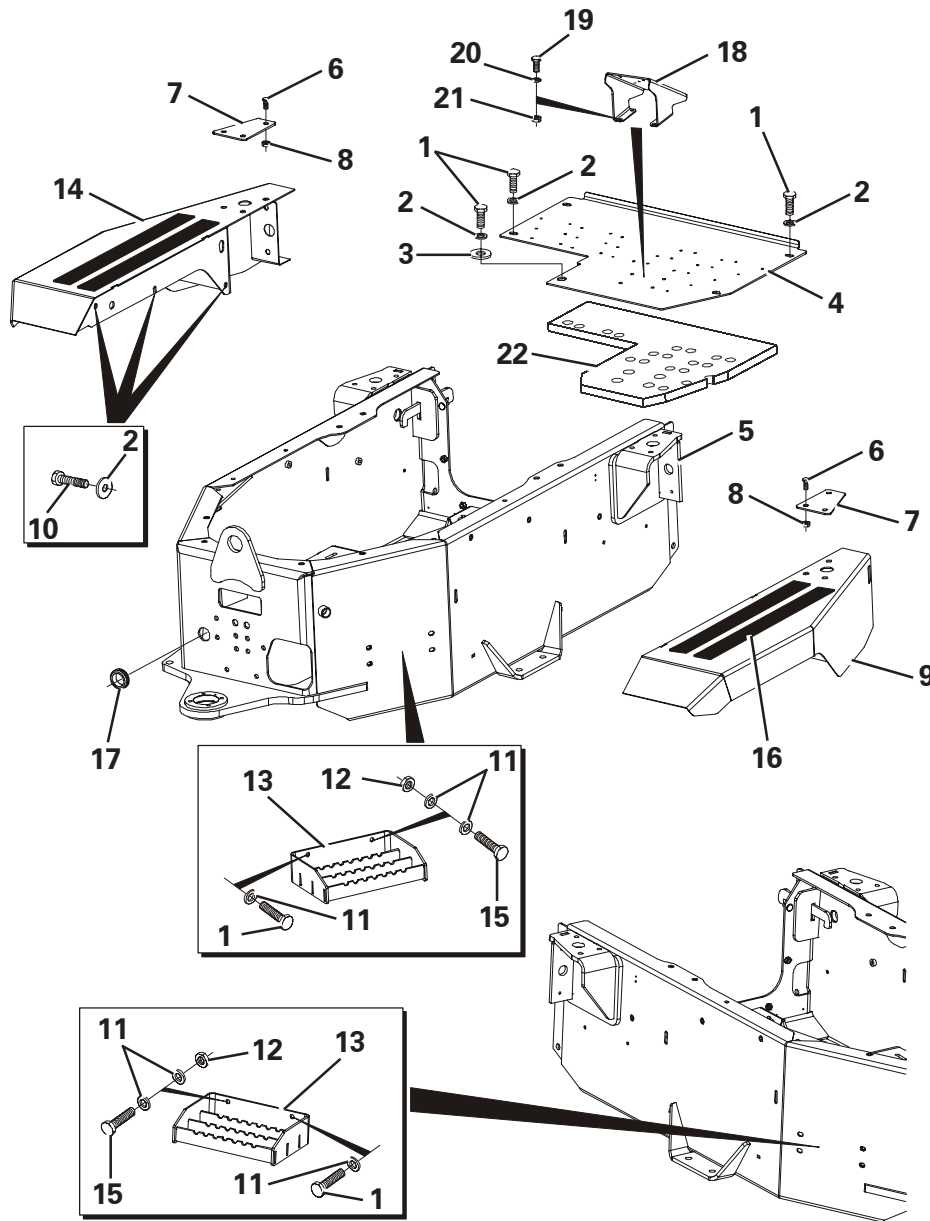
REAR COVER ASSEMBLY



Item	Part No.	Description	Qty	U/M
1*	T102545	REAR COVER ASSY	1.0	EA
2	T14910	STOVER NUT	6.0	EA
3	T100867	PLAIN WASHER	12.0	EA
4	T11316	BOLT	4.0	EA
5	T101345	RETAINING STRAP	2.0	EA
6	T16477	BOLT	1.0	EA
7	T13911	FLAT WASHER	2.0	EA
8	T10431	NUT	1.0	EA
9	T100156	TOWING PIN	1.0	EA
10	T11315	BOLT	2.0	EA
11	T100155	TOWING JAW	1.0	EA
12	T101100	TOWING BRACKET	1.0	EA
13	T100470	BOLT	4.0	EA
14	T14748	PLAIN WASHER	8.0	EA
15	T14283	PHILIDAS NUT	4.0	EA
16	T6075	LYNCH PIN	1.0	EA
17	T6668	WASHER	2.0	EA
18	T17507	LOCKING PIN CHAIN	1.0	EA
19	T17508	CHAIN SLEEVE	1.0	EA

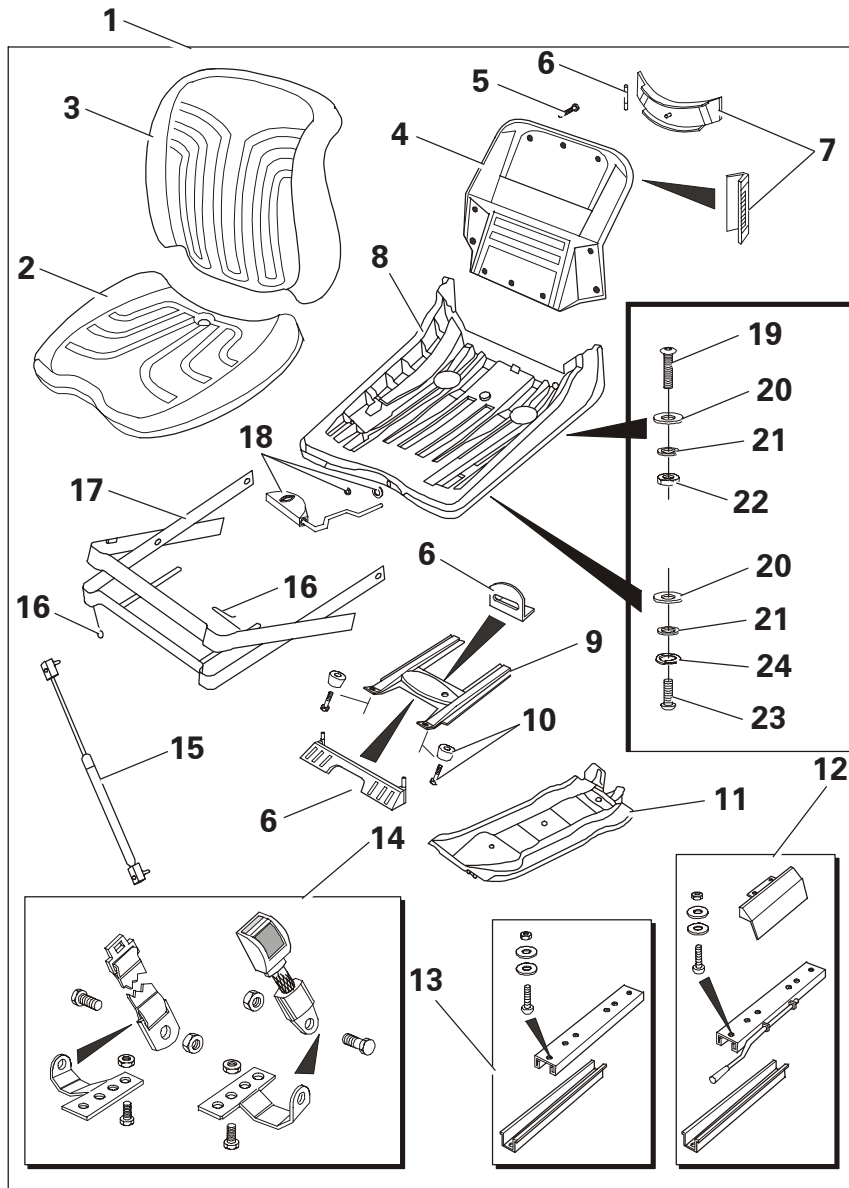
Rear Cover Assembly - Tier 2 mk2

REAR CHASSIS ASSEMBLY



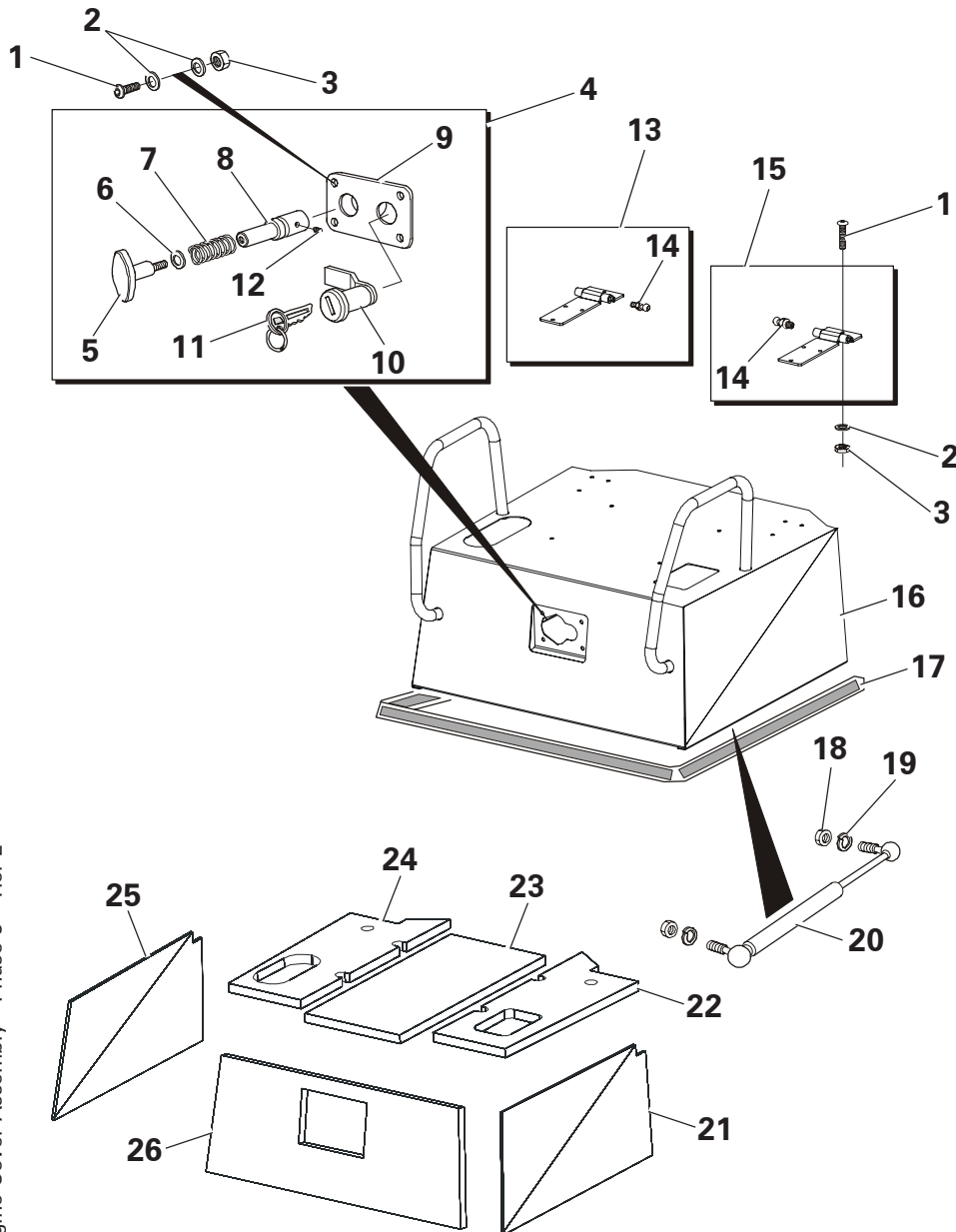
Item	Part No.	Description	Qty	U/M
1	T20618	SET SCREW	9.0	EA
2	T10734	HEAVY DUTY WASHER	11.0	EA
3	T8128	WASHER	1.0	EA
4	T101005	FLOORPLATE	1.0	EA
5	T101103	REAR CHASSIS	1.0	EA
6	T14078	BOLT	6.0	EA
7	T101352	ROPS MOUNTING COVER PLATE	2.0	EA
8	T14283	PHILIDAS NUT	6.0	EA
9	T101116	MUDGUARD ASSY LH	1.0	EA
10	T7466	SET SCREW	6.0	EA
11	T15819	PLAIN WASHER	12.0	EA
12	T13064	NUT	4.0	EA
13	T100147	STEP	2.0	EA
14	T101101	MUDGUARD ASSY RH	1.0	EA
15	T16505	SET BOLT	4.0	EA
16	T101567	ANTI SLIP MAT	4.0	EA
17	T17123	GROMMET	1.0	EA
18	T100954	FOOT REST	1.0	EA
19	T12694	SET SCREW	4.0	EA
20	T12973	PLAIN WASHER	4.0	EA
21	T19007	PHILIDAS NUT	4.0	EA
22	T102085	FLOORPLATE SOUND INSULATION	1.0	EA

SEAT ASSEMBLY



Item	Part No.	Description	Qty	U/M
1	T100024	SEAT-MSG20 C/W BELTS	1.0	EA
2	T52524	SEAT CUSHION VINYL	1.0	EA
3	T51918	UPHOLSTERED BACK REST	1.0	EA
4	T51919	PLATE	1.0	EA
5	T51920	SCREW SET	1.0	EA
6	T51928	FRAME KIT	1.0	EA
7	T51936	BLANKING COVERS	1.0	EA
8	T52525	SEAT PAN	1.0	EA
9	T52530	OUTER SWING ARM	1.0	EA
10	T51927	SCREW & WASHER SET	1.0	EA
11	T52529	INNER SWING ARM	1.0	EA
12	T51929	SLIDE RAIL KIT	1.0	EA
13	T51930	SLIDE RAIL	1.0	EA
14	T52536	SEAT BELT	1.0	EA
15	T52531	SHOCK ABSORBER	1.0	EA
16	T52526	REPAIR KIT	1.0	EA
17	T52527	SUSPENSION COVER	1.0	EA
18	T51921	LEVER	1.0	EA
19	T12971	BUTTON HEAD SCREW	2.0	EA
20	T9345	WASHER	4.0	EA
21	T12973	PLAIN WASHER	4.0	EA
22	T13457	NYLOC NUT	2.0	EA
23	T12832	DOME HEAD SCREW	2.0	EA
24	T12972	SPRING WASHER	2.0	EA

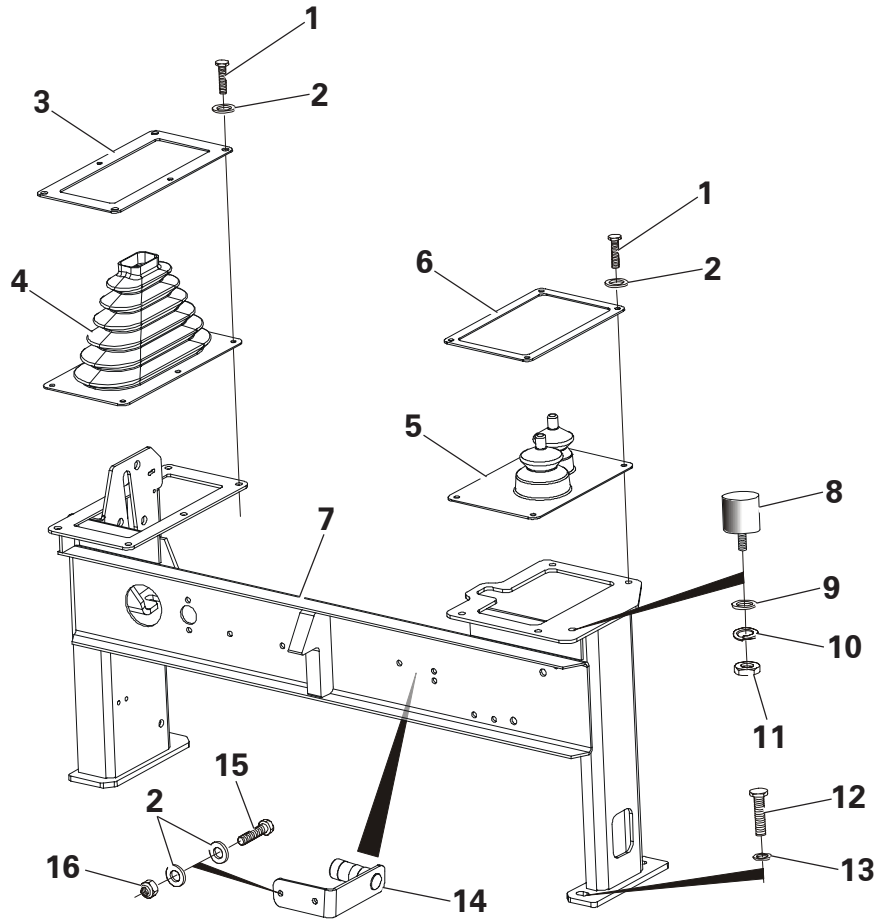
ENGINE COVER ASSEMBLY



Item	Part No.	Description	Qty	U/M
1	T12971	BUTTON HEAD SCREW	16.0	EA
2	T12973	PLAIN WASHER	20.0	EA
3	T13457	NYLOC NUT	16.0	EA
4	T100211	LOCK ASSY	1.0	EA
5	T100216	RENCOL HANDLE	1.0	EA
6	T10734	H/DUTY WASHER	1.0	EA
7	T100287	SPRING	1.0	EA
8	T100266	LOCK PLUNGER	1.0	EA
9	T100286	WELDED LOCK ASSY	1.0	EA
10	T100265	COMPARTMENT LOCK	1.0	EA
11	T50479	SWITCH KEY	1.0	EA
12	T100477	GRUB SCREW	1.0	EA
13	T101780	HINGE RH (WITH GREASE NIPPLE)	1.0	EA
14	T16586	GREASE NIPPLE - STRAIGHT	2.0	EA
15	T101779	HINGE LH (WITH GREASE NIPPLE)	1.0	EA
16	T101104	ENGINE COVER	1.0	EA
17	T101249	SEAL	1.0	EA
18	T9775	NUT	4.0	EA
19	T12972	SPRING WASHER	4.0	EA
20	T100610	GAS STRUT	2.0	EA
21	T102081	BONNET INSULATION	1.0	EA
22	T102165	BONNET INSULATION	1.0	EA
23	T102079	BONNET INSULATION	1.0	EA
24	T102166	BONNET INSULATION	1.0	EA
25	T102082	BONNET INSULATION	1.0	EA
26	T102080	BONNET INSULATION	1.0	EA

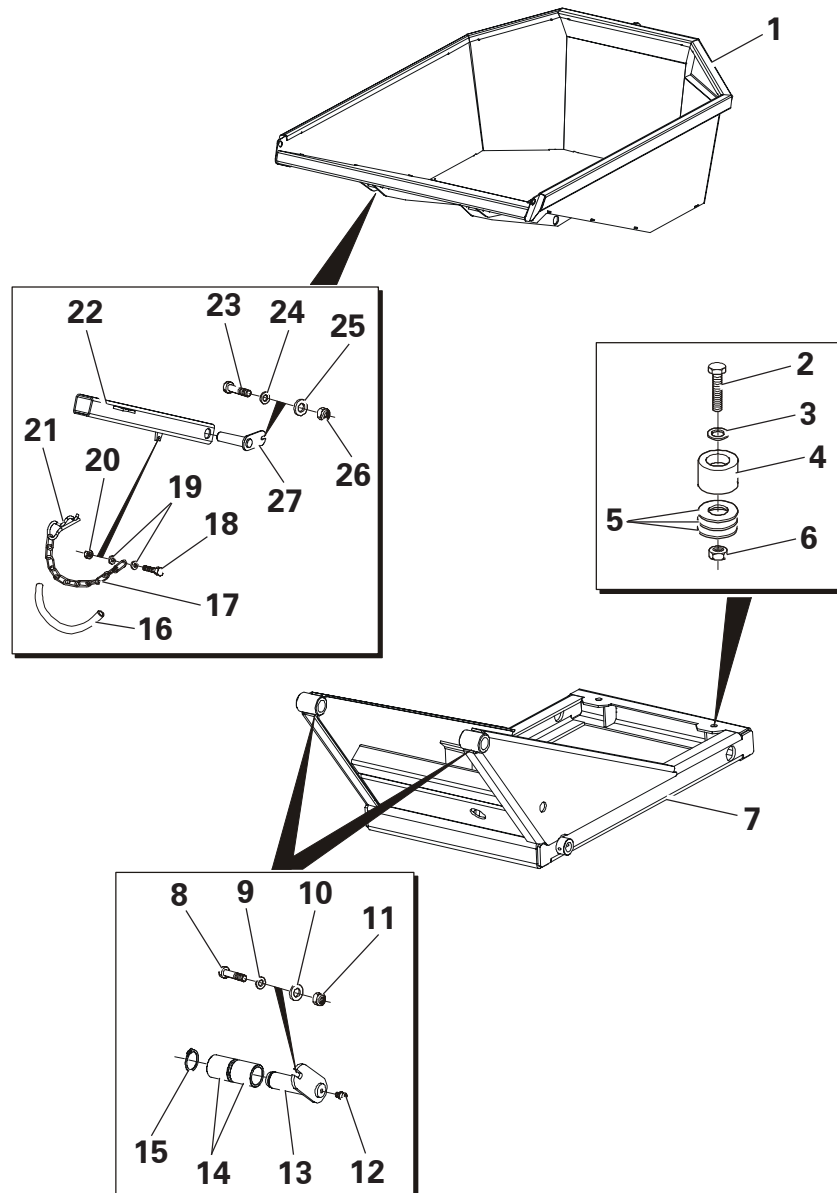
Engine Cover Assembly - Phase 3 - Tier 2

CROSS BRACE ASSEMBLY



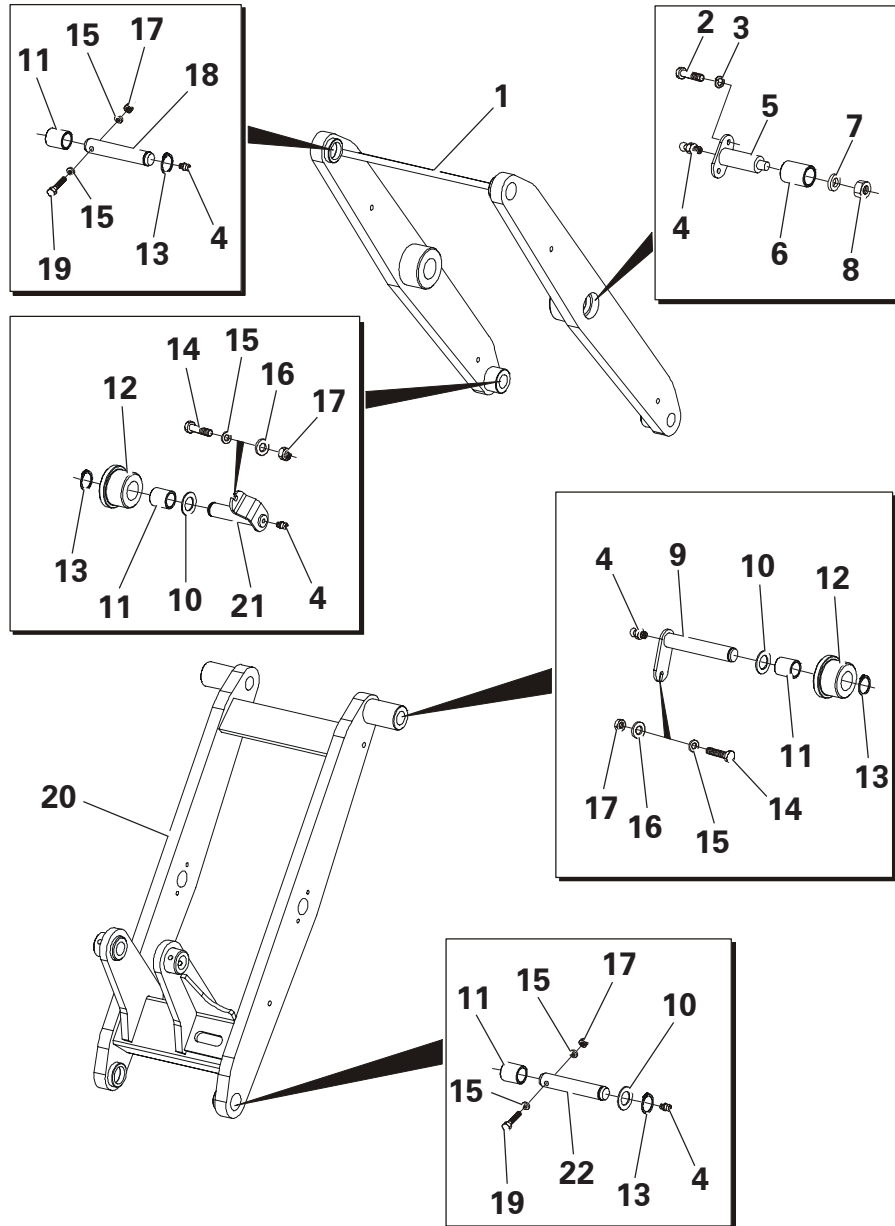
Item	Part No.	Description	Qty	U/M
1	T16492	PAN HEAD SCREW	9.0	EA
2	T13911	WASHER	13.0	EA
3	T100570	HANDBRAKE GAITER RETAINER	1.0	EA
4	T100911	GAITER	1.0	EA
5	T101167	TIPPING LEVER GAITER	1.0	EA
6	T100569	TIPPING GAITER RETAINING PLATE	1.0	EA
7	T100975	CROSS BRACE	1.0	EA
8	T100214	RUBBER BUFFER	2.0	EA
9	T12973	WASHER	2.0	EA
10	T12972	SPRING WASHER	2.0	EA
11	T9775	NUT	2.0	EA
12	T16505	SET SCREW	4.0	EA
13	T10734	HEAVY DUTY WASHER	4.0	EA
14	T101347	BEACON STORAGE BRACKET	1.0	EA
15	T16477	SET SCREW	2.0	EA
16	T16481	NYLOC NUT	2.0	EA

SKIP & UPPER SUB CHASSIS



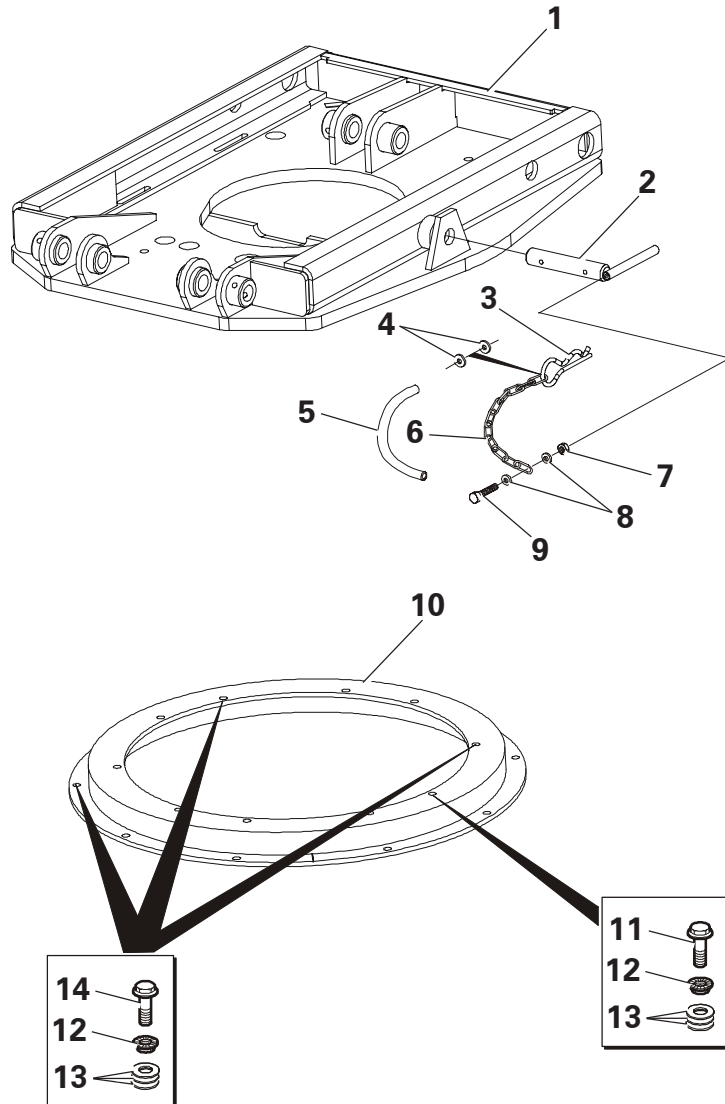
Item	Part No.	Description	Qty	U/M
1	T101058	SKIP	1.0	EA
2	T14909	BOLT	2.0	EA
3	T100867	PLAIN WASHER	2.0	EA
4	T100302	SKIP PAD	2.0	EA
5	T100578	SKIP PAD SPACER 3mm	A/R	EA
	T100303	SKIP PAD SPACER 5mm	A/R	EA
	T100386	SKIP PAD SPACER 10mm	A/R	EA
6	T14910	STOVER NUT	2.0	EA
7	T101096	UPPER SUB CHASSIS	1.0	EA
8	T20618	SET SCREW	2.0	EA
9	T15819	PLAIN WASHER	2.0	EA
10	T10734	HEAVY DUTY WASHER	2.0	EA
11	T13064	NUT	2.0	EA
12	T16586	GREASE NIPPLE	2.0	EA
13	T17250	PIVOT PIN	2.0	EA
14	T17270	BUSH	4.0	EA
15	T17301	CIRCLIP	2.0	EA
16	T18187	PROTECTIVE SLEEVE	1.0	EA
17	T17507	LOCKING PIN CHAIN	1.0	EA
18	T16476	SET BOLT	1.0	EA
19	T13911	FLAT WASHER	2.0	EA
20	T16481	NYLOC NUT	1.0	EA
21	T10012	LINCH PIN	1.0	EA
22	T101421	SKIP PROP	1.0	EA
23	T14152	BOLT	1.0	EA
24	T12973	PLAIN WASHER	1.0	EA
25	T9345	WASHER	1.0	EA
26	T13457	NYLOC NUT	1.0	EA
27	T17236	SKIP PROP PIN	1.0	EA

SCISSOR FRAME



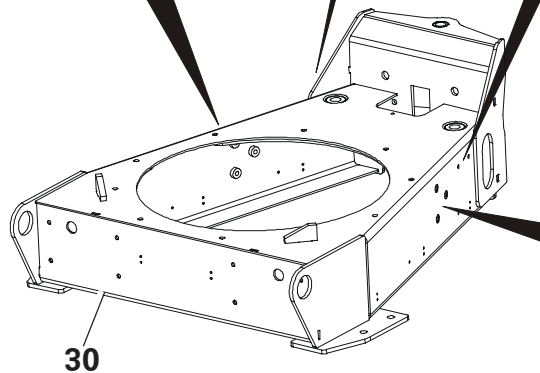
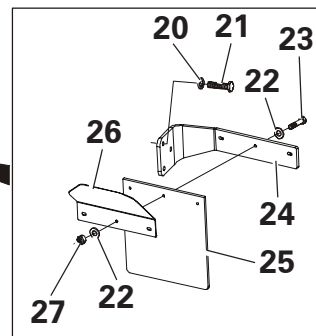
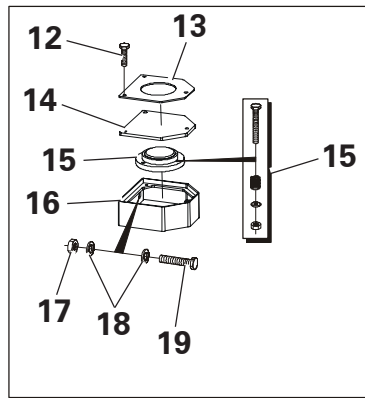
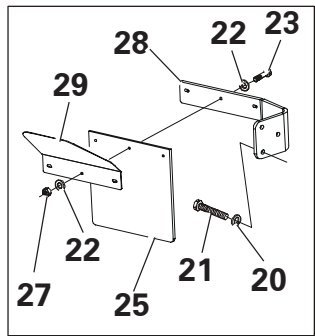
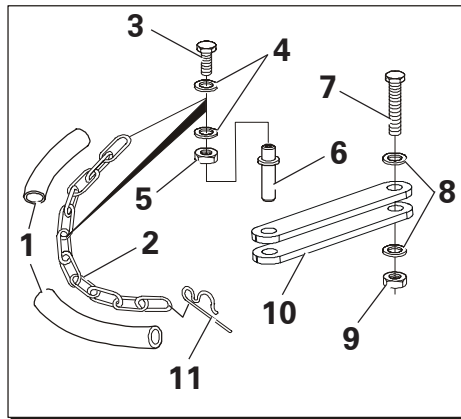
Item	Part No.	Description	Qty	U/M
1	T101054	OUTER FRAME	1.0	EA
2	T7465	SET SCREW	4.0	EA
3	T12972	SPRING WASHER	4.0	EA
4	T16586	GREASE NIPPLE	10.0	EA
5	T17418	CENTRE PIVOT PIN	2.0	EA
6	T17255	BUSH	2.0	EA
7	T17419	HEAVY DUTY WASHER	2.0	EA
8	T13437	PHILIDAS NUT	2.0	EA
9	T18044	ROLLER PIVOT PIN	2.0	EA
10	T17254	THRUST WASHER	6.0	EA
11	T17256	BUSH	8.0	EA
12	T18047	ROLLER	4.0	EA
13	T17301	CIRCLIP	8.0	EA
14	T100353	BOLT	4.0	EA
15	T12973	PLAIN WASHER	12.0	EA
16	T9345	WASHER	4.0	EA
17	T13457	NYLOC NUT	8.0	EA
18	T18046	PIVOT PIN	2.0	EA
19	T17157	BOLT	4.0	EA
20	T101053	INNER FRAME ASSY	1.0	EA
21	T18043	ROLLER PIVOT PIN	2.0	EA
22	T101857	PIVOT PIN	2.0	EA

LOWER SUB CHASSIS



Item	Part No.	Description	Qty	U/M
1	T101052	LOWER SUB-CHASSIS	1.0	EA
2	T17341	LIFT PROP PIN	1.0	EA
3	T6075	LYNCH PIN	1.0	EA
4	T15830	FLAT WASHER	2.0	EA
5	T17508	CHAIN SLEEVE	1.0	EA
6	T17426	RETAINING CHAIN	1.0	EA
7	T10431	NUT	1.0	EA
8	T13911	FLAT WASHER	2.0	EA
9	T16477	BOLT	1.0	EA
10	T100959	SLEW RING	1.0	EA
11	T9927	BOLT DURLOCK	8.0	EA
12	T9928	DURLOCK NUT	20.0	EA
13	T7245/1	.003 SHIM	A/R	EA
	T7245/2	.005 SHIM	A/R	EA
	T7245/3	.010 SHIM	A/R	EA
	T7245/4	.020 SHIM	A/R	EA
	T7245/5	.030 SHIM	A/R	EA
14	T9926	BOLT DURLOCK	12.0	EA

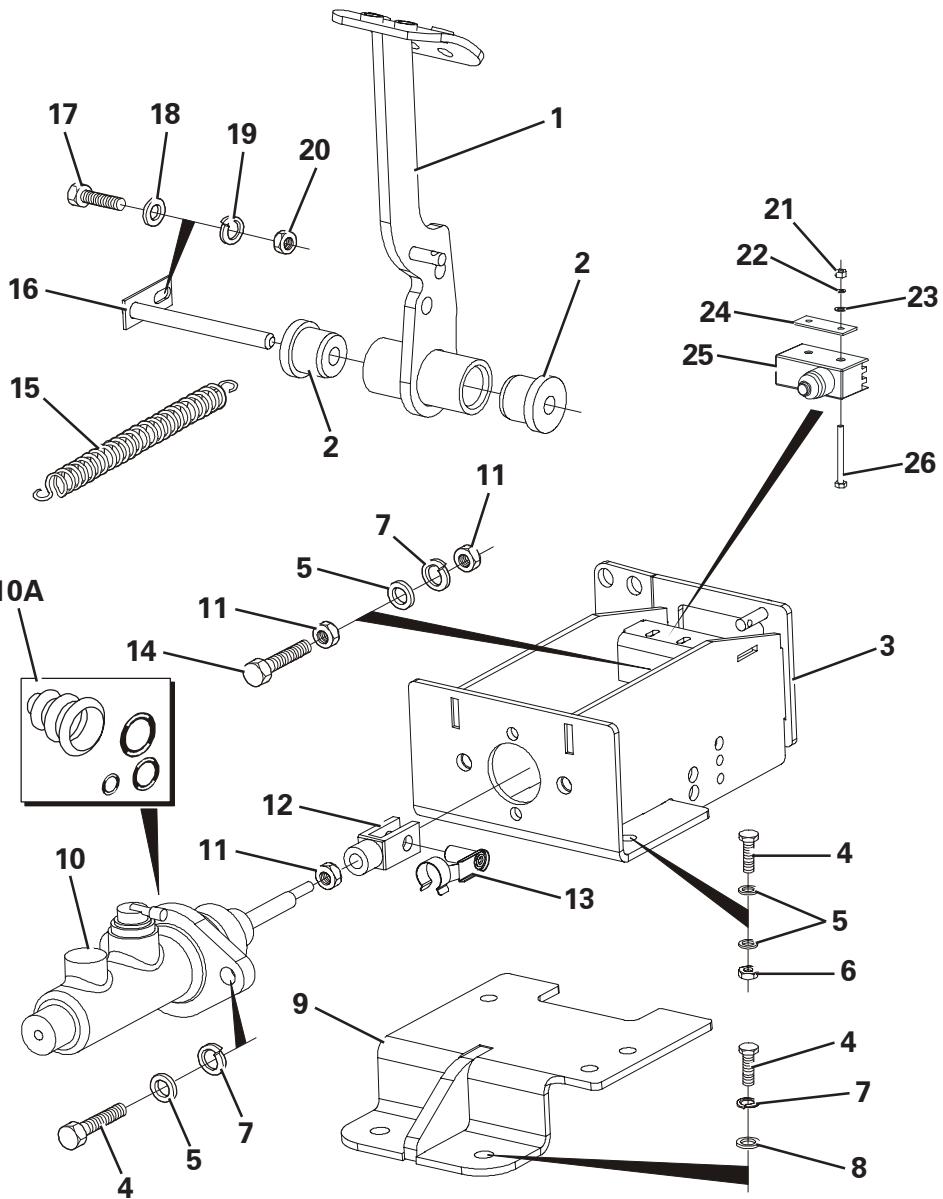
FRONT CHASSIS ASSEMBLY



Item	Part No.	Description	Qty	U/M
1	T19465	CHAIN SLEEVE	2.0	EA
2	T18186	PIN RETAINING CHAIN	1.0	EA
3	T16476	SET BOLT	2.0	EA
4	T13911	FLAT WASHER	4.0	EA
5	T10431	NUT	2.0	EA
6	T101036	CHASSIS LOCK PIN ASSY	1.0	EA
7	T100310	BOLT	1.0	EA
8	T17306	PLAIN WASHER	2.0	EA
9	T13739	PHILIDAS NUT	1.0	EA
10	T101035	CHASSIS LOCK BAR ASSY	1.0	EA
11	T10012	LINCH PIN	1.0	EA
12	T12007	SCREW	3.0	EA
13	T101148	INCLINOMETER COVER PLATE	1.0	EA
14	T101151	CLEAR INCLINOMETER COVER	1.0	EA
15	T16332	OPTICAL INCLINOMETER	1.0	EA
16	T101147	INCLINOMETER BRACKET	1.0	EA
17	T13457	NYLOC NUT	2.0	EA
18	T12973	PLAIN WASHER	4.0	EA
19	T12694	SET SCREW	2.0	EA
20	T14748	PLAIN WASHER	6.0	EA
21	T14078	BOLT	6.0	EA
22	T15830	FLAT WASHER	12.0	EA
23	T100700	DOME HEAD SET SCREW	6.0	EA
24	T100980	MUDGUARD SUPPORT BRKT LH	1.0	EA
25	T18059	RUBBER MUDFLAP	2.0	EA
26	T101001	MUDGUARD HI-SW (LH)	1.0	EA
27	T13910	PHILIDAS LOCKNUT	6.0	EA
28	T101022	MUDGUARD SUPPORT BRKT RH	1.0	EA
29	T101002	MUDGUARD HI-SW (RH)	1.0	EA
30	T100958	FRONT CHASSIS	1.0	EA

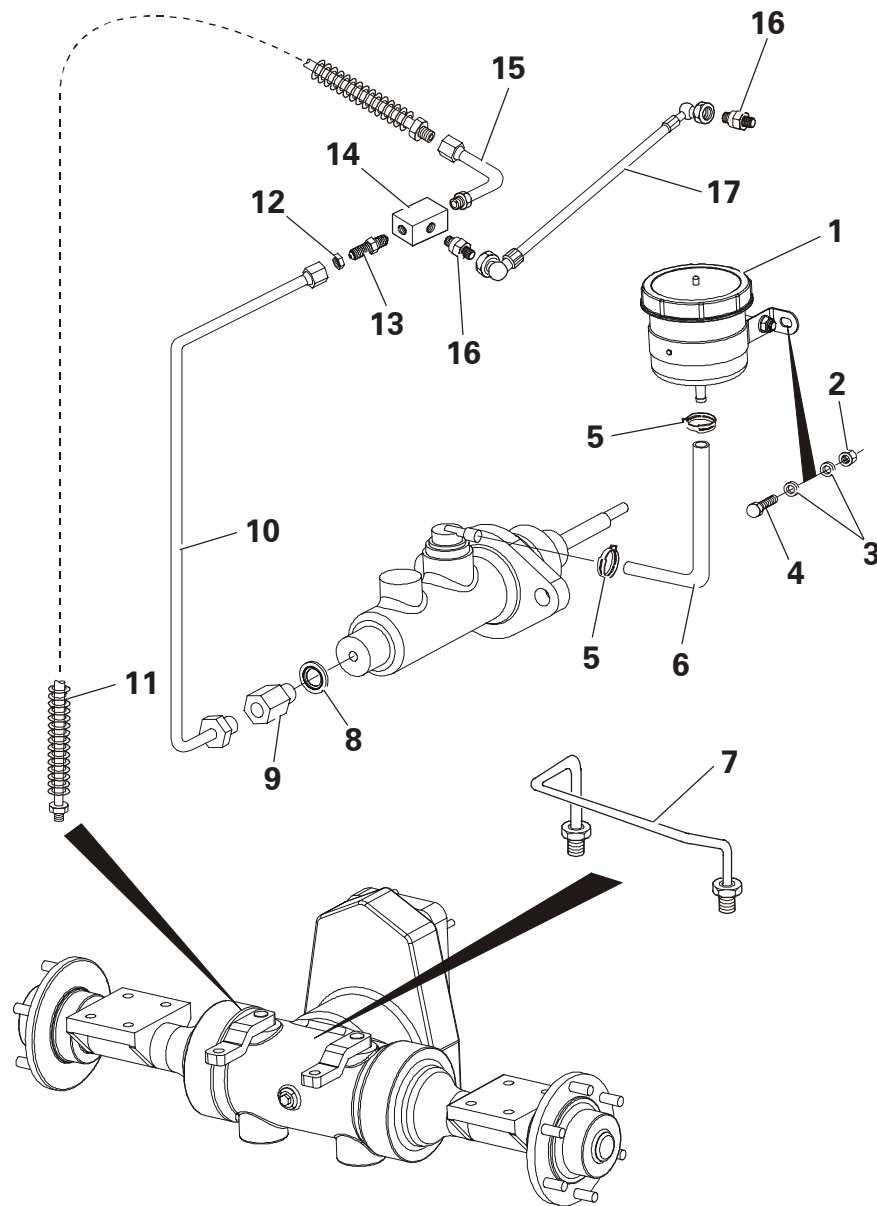
BRAKE PEDAL ASSEMBLY

Item	Part No.	Description	Qty	U/M
1	T100636	BRAKE/INCHING PEDAL	1.0	EA
2	T100110	BUSH	2.0	EA
3	T100351	MASTER CYLINDER MTG BRKT	1.0	EA
4	T20618	SET SCREW	6.0	EA
5	T15819	PLAIN WASHER	7.0	EA
6	T13064	NUT	2.0	EA
7	T13362	SPRING WASHER	5.0	EA
8	T10734	H/DUTY WASHER	2.0	EA
9	T100984	PEDAL MOUNTING BRKT	1.0	EA
10	T100399	MASTER CYLINDER (SINGLE)	1.0	EA
10A	T52799	SEAL KIT	1.0	EA
11	T12509	NUT	3.0	EA
12	T100083	FORK END	1.0	EA
13	T100084	SPRING CLEVIS PIN	1.0	EA
14	T7466	SET SCREW	1.0	EA
15	T100318	BRAKE SPRING	1.0	EA
16	T100096	PEDAL SHAFT	1.0	EA
17	T16477	BOLT	1.0	EA
18	T13911	FLAT WASHER	1.0	EA
19	T14837	SPRING WASHER	1.0	EA
20	T10431	NUT	1.0	EA
21	T11447	NUT	2.0	EA
22	T11439	SPRING WASHER	2.0	EA
23	T11440	WASHER	2.0	EA
24	T13289	MICRO SWITCH BACKING PLATE	1.0	EA
25	T100223	MICRO SWITCH	1.0	EA
26	T13321	SET SCREW	2.0	EA



Brake Pedal Assembly - Hydrostatic - Phase 3

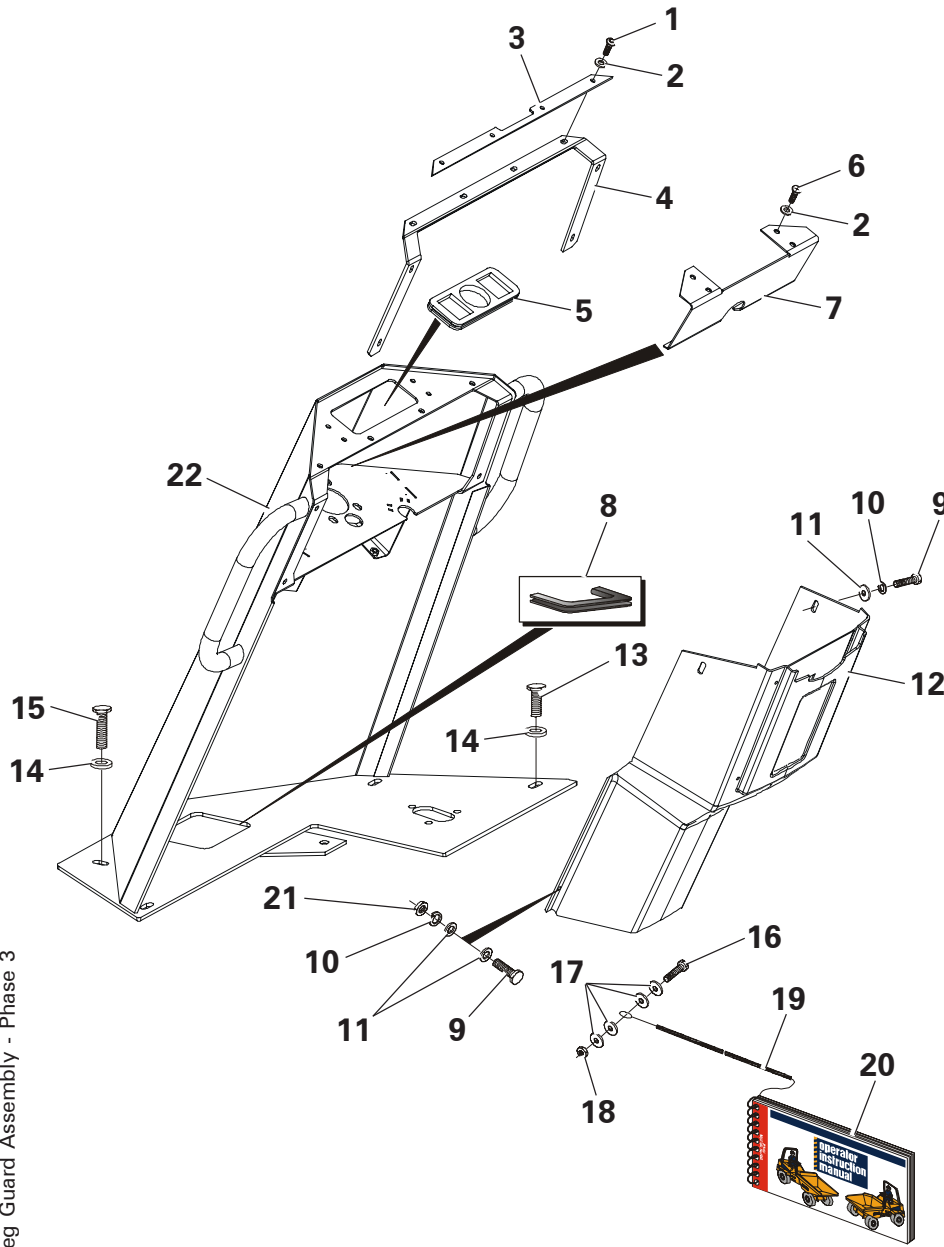
BRAKE CIRCUIT - HYDROSTATIC



Item	Part No.	Description	Qty	U/M
1	T100402	RESERVOIR	1.0	EA
2	T16481	NYLOC NUT	2.0	EA
3	T13911	FLAT WASHER	4.0	EA
4	T10917	SET BOLT	2.0	EA
5	T100691	HOSE CLIP	2.0	EA
6	T100747	BRAKE HOSE	1.0	EA
7	T100704	BRAKE PIPE	1.0	EA
8	T10940	HYDRAULIC WASHER	1.0	EA
9	T100701	ADAPTOR	1.0	EA
10	T100702	BRAKE PIPE	1.0	EA
11	T11243	FLEXIBLE BRAKE HOSE	1.0	EA
12	T8942	LOCK NUT	1.0	EA
13	T100697	BRAKE B/H UNION	1.0	EA
14	T9369	SPECIAL 3 WAY TEE	1.0	EA
15	T101390	BRAKE PIPE	1.0	EA
16	T100790	ADAPTOR	2.0	EA
17	T100726	HOSE	1.0	EA

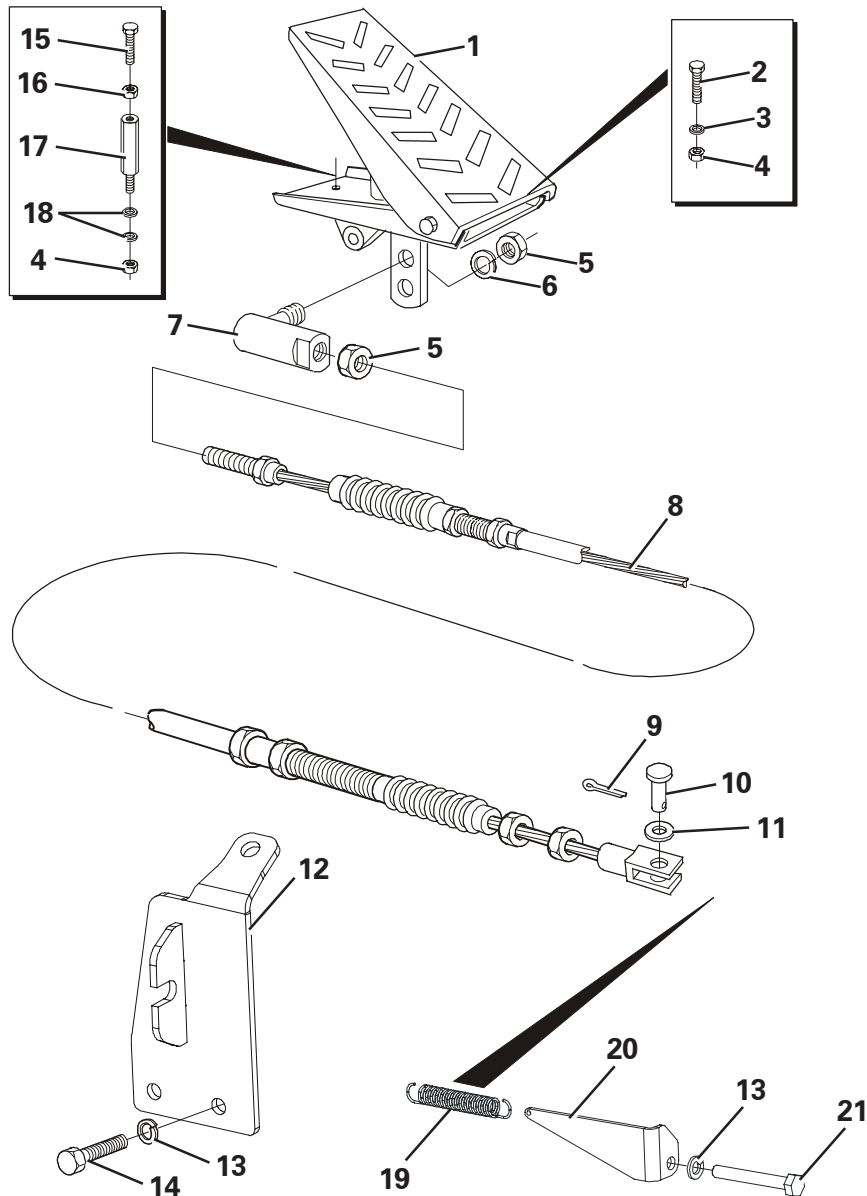
LEG GUARD ASSEMBLY

Item	Part No.	Description	Qty	U/M
1	T100315	SCREW	4.0	EA
2	T13911	FLAT WASHER	8.0	EA
3	T100506	CLAMPING STRIP	1.0	EA
4	T100320	SEALING GASKET	1.0	EA
5	T100356	STEERING COLUMN GROMMET	1.0	EA
6	T16492	DOME HEAD SCREW	4.0	EA
7	T100540	SPLASH GUARD	1.0	EA
8	T52795	E J TRIM	1.0	EA
9	T10917	SET BOLT	4.0	EA
10	T14837	SPRING WASHER	4.0	EA
11	T15830	FLAT WASHER	6.0	EA
12	T100159	INNER LEG GUARD	1.0	EA
13	T20618	SET SCREW	3.0	EA
14	T10734	HEAVY DUTY WASHER	5.0	EA
15	T16505	SET BOLT	2.0	EA
16	T12694	SET SCREW	1.0	EA
17	T9345	WASHER	4.0	EA
18	T13457	NYLOC NUT	1.0	EA
19	T100699	RETAINING CABLE	1.0	EA
20	T0430	OPERATOR MANUAL	1.0	EA
21	T10431	NUT	2.0	EA
22	T101015	LEG GUARD ASSY	1.0	EA



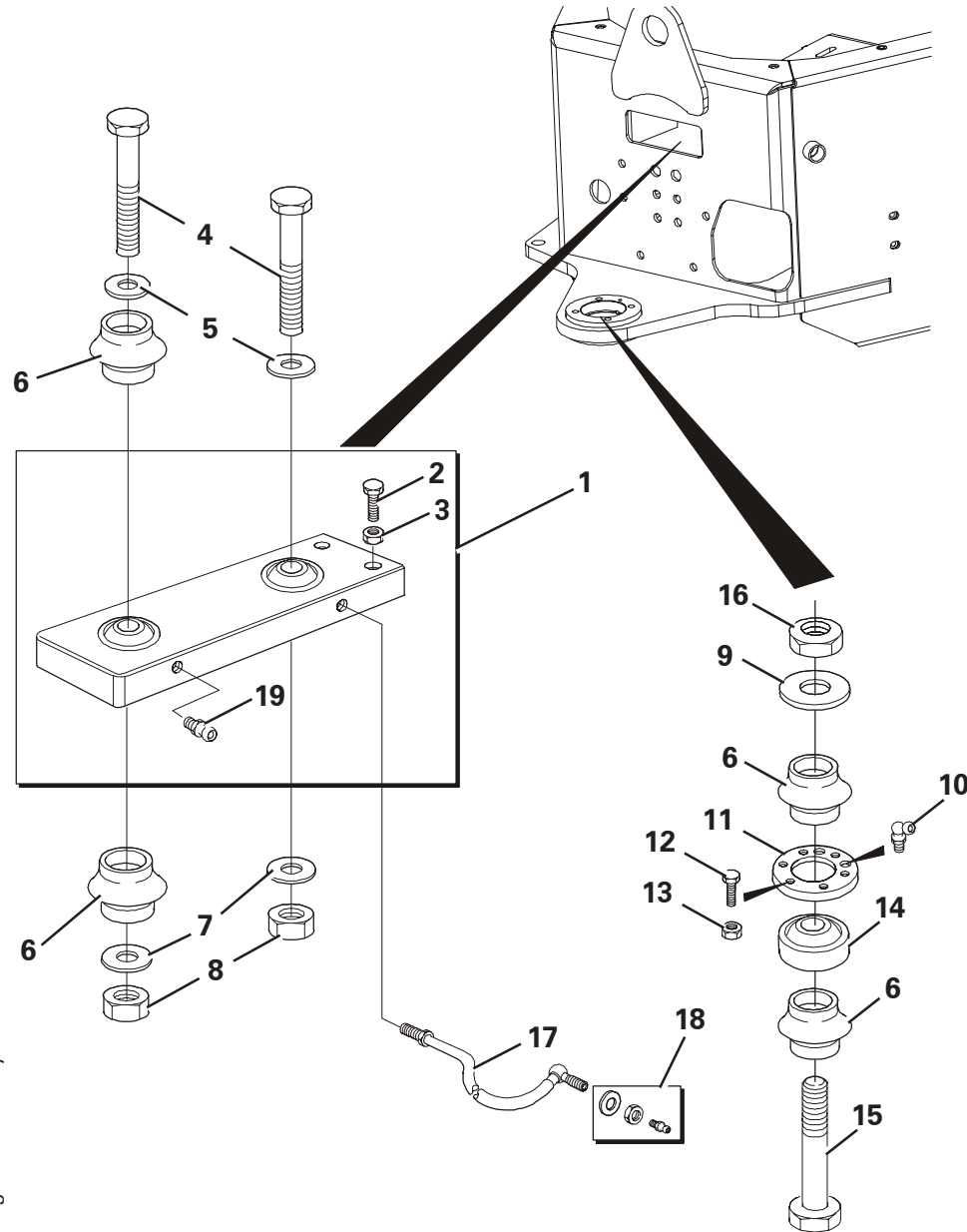
Leg Guard Assembly - Phase 3

THROTTLE ASSEMBLY



Item	Part No.	Description	Qty	U/M
1	T101965	THROTTLE PEDAL	1.0	EA
2	T16477	BOLT	2.0	EA
3	T13911	FLAT WASHER	2.0	EA
4	T16481	NYLOC NUT	3.0	EA
5	T10431	NUT	2.0	EA
6	T14837	SPRING WASHER	1.0	EA
7	T16192	AMEL END	1.0	EA
8	T101785	THROTTLE CABLE	1.0	EA
9	T6744	SPLIT PIN	1.0	EA
10	T6970	ANCHOR PIN	1.0	EA
11	T16612	PLAIN WASHER	1.0	EA
12	T101273	THROTTLE REACTION BRKT	1.0	EA
13	T12972	SPRING WASHER	3.0	EA
14	T7465	SET SCREW	2.0	EA
15	T14152	BOLT	1.0	EA
16	T9775	NUT	1.0	EA
17	T101032	THROTTLE STOP	1.0	EA
18	T15830	FLAT WASHER	2.0	EA
19	T18452	SPRING	1.0	EA
20	T101768	THROTTLE SPRING BRKT	1.0	EA
21	T17157	BOLT	1.0	EA

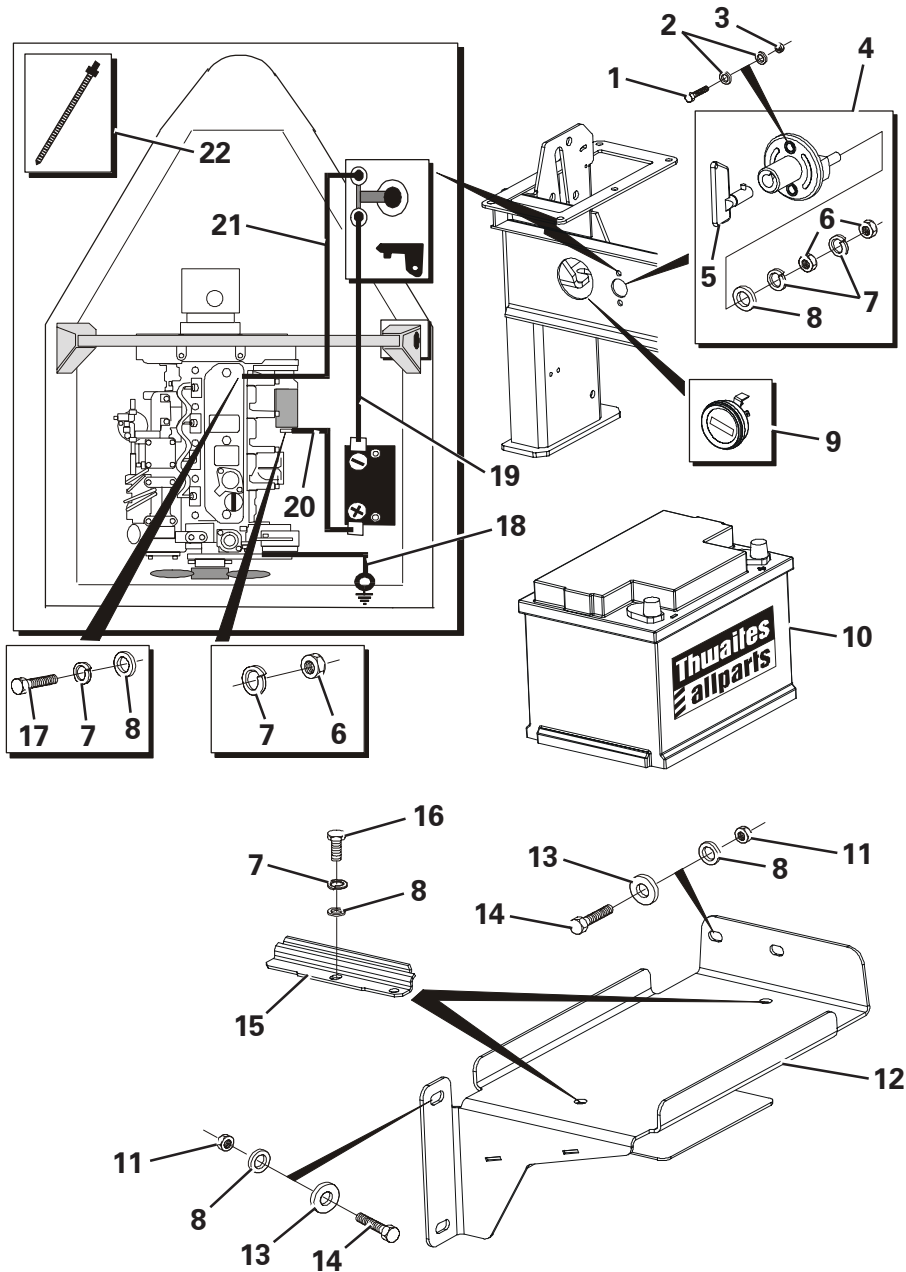
KINGLINK ASSEMBLY



Item	Part No.	Description	Qty	U/M
1	T52796	KINGLINK ASSEMBLY	1.0	EA
2	T16505	SET BOLT	2.0	EA
3	T12509	NUT	2.0	EA
4	T100593	TOP PIVOT BOLT	2.0	EA
5	T6768	WASHER	2.0	EA
6	T10160	RUBBER DUST SEAL	4.0	EA
7	T11811	WASHER	2.0	EA
8	T10143	NUT	2.0	EA
9	T7695	WASHER	1.0	EA
10	T16588	GREASE NIPPLE	1.0	EA
11	T100527	LOWER BEARING CAP	1.0	EA
12	T101725	BOLT	4.0	EA
13	T101724	NYLOC NUT	4.0	EA
14	T100268	SPHERICAL BEARING	1.0	EA
15	T101037	BOTTOM PIVOT PIN	1.0	EA
16	T10331	LOCKNUT	1.0	EA
17	T100727	GREASE PIPE	1.0	EA
18	T100390	GREASE NIPPLE ASSEMBLY	1.0	EA
19	T16586	GREASE NIPPLE	1.0	EA

Kinglink Assembly - Phase 2

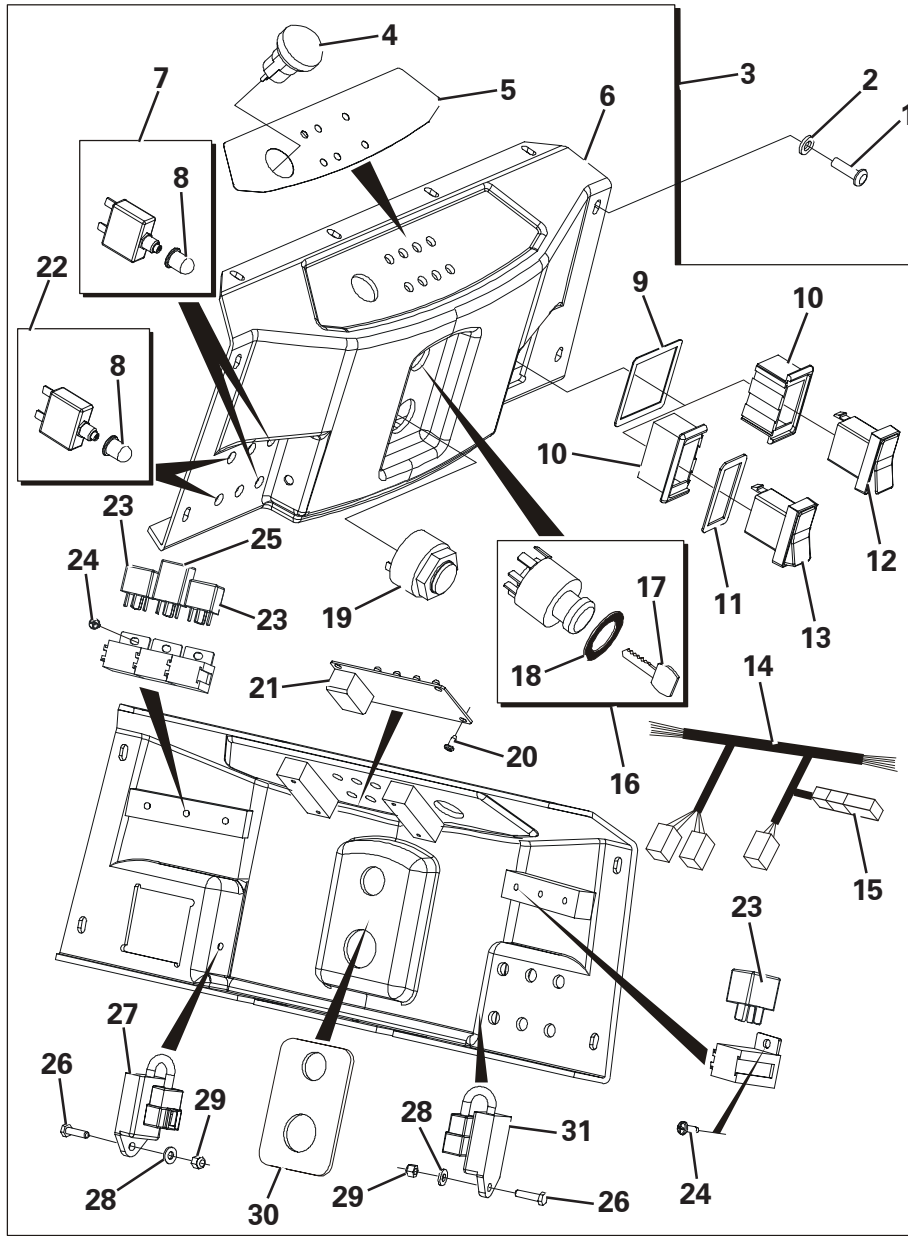
BATTERY BOX ASSEMBLY



Item	Part No.	Description	Qty	U/M
1	T16611	SCREW	2.0	EA
2	T16612	PLAIN WASHER	4.0	EA
3	T16613	NYLOC NUT	2.0	EA
4	T20846	BATTERY ISOLATOR SWITCH	1.0	EA
5	T52600	KEY	1.0	EA
6	T9775	NUT	5.0	EA
7	T12972	SPRING WASHER	8.0	EA
8	T12973	PLAIN WASHER	9.0	EA
9	T16538	HOURMETER	1.0	EA
10	T100967	BATTERY	1.0	EA
11	T13457	NYLOC NUT	4.0	EA
12	T100992	BATTERY TRAY	1.0	EA
13	T9345	WASHER	4.0	EA
14	T12694	SET SCREW	4.0	EA
15*	T102877	BATTERY CLAMP	2.0	EA
16	T7465	SET SCREW	2.0	EA
17	T11673	SET BOLT	1.0	EA
18	T100665	EARTH LEAD	1.0	EA
19	T101279	BATTERY NEGATIVE CABLE	1.0	EA
20	T101278	BATTERY POSITIVE CABLE	1.0	EA
21	T101280	ISOLATOR CABLE	1.0	EA
22	T9164	NYLON CLIPS	A/R	EA

DASH PANEL ASSEMBLY

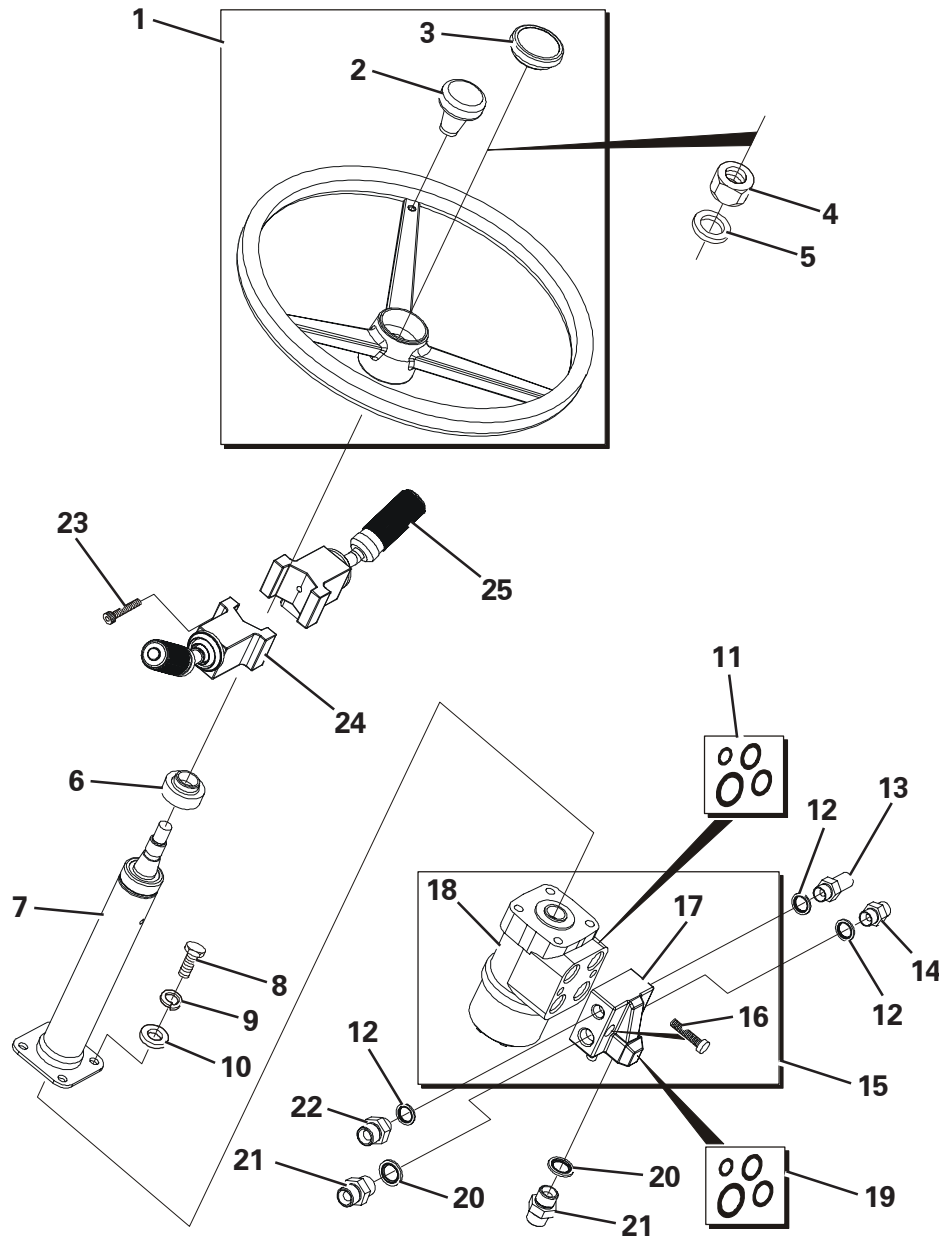
Item	Part No.	Description	Qty	U/M
1	T100315	DOME HEAD SCREW	4.0	EA
2	T13911	WASHER	4.0	EA
3*	T102850	DASH PANEL ASSY	1.0	EA
4	T52302	HORN PUSH	1.0	EA
5	T100635	CONSOLE DECAL	1.0	EA
6*	T102491	DASH PANEL	1.0	EA
7*	T102845	CIRCUIT BREAKER 18AMP	4.0	EA
8*	T102846	CIRCUIT BREAKER SPLASHGUARD	6.0	EA
9	T52448	MOUNTING PANEL GASKET	1.0	EA
10	T52446	SWITCH MOUNTING PANEL	2.0	EA
11	T52304	SWITCH BLANK SEAL	2.0	EA
12	T52461	HAZARD SWITCH	1.0	EA
13	T52445	BEACON SWITCH	1.0	EA
14	T101760	PANEL HARNESS	1.0	EA
15	T52724	DIODE	1.0	EA
16	T52307	IGNITION SWITCH	1.0	EA
17	T50479	STARTER SWITCH KEY	1.0	EA
18	T52311	INDEX PLATE	1.0	EA
19	T100902	BUZZER	1.0	EA
20	T101135	SCREW	4.0	EA
21	T101128	LED MODULE	1.0	EA
22*	T102844	CIRCUIT BREAKER 5AMP	2.0	EA
23	T101129	RELAY	3.0	EA
24	T101134	SCREW	4.0	EA
25	T101130	FLASHER UNIT	1.0	EA
26	T16611	CHEESE HEAD SCREW	2.0	EA
27	T52726	STOP SOLENOID - TIMER	1.0	EA
28	T16612	WASHER	2.0	EA
29	T16613	NYLOC NUT	2.0	EA
30	T101778	IGNITION SWITCH BACKING PLATE	1.0	EA
31	T52725	GLOW PLUG - TIMER	1.0	EA



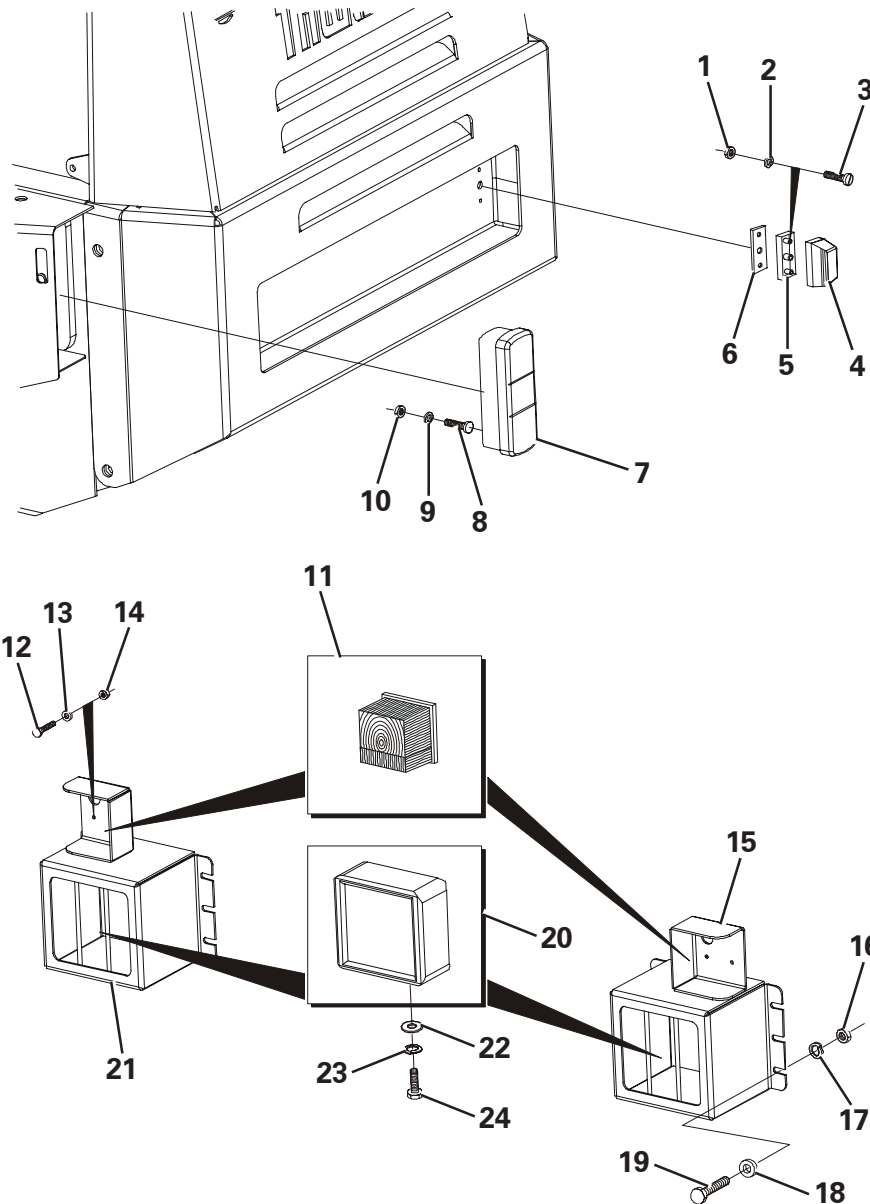
Dash Panel Assembly - Hydrostatic - Tier 2

STEERING ASSEMBLY

Item	Part No.	Description	Qty	U/M
1	T100496	STEERING WHEEL & CAP	1.0	EA
2	T52520	SPINNER KNOB	1.0	EA
3	T50541	CENTRE CAP	1.0	EA
4	T100690	NYLOC NUT	1.0	EA
5	T6765	WASHER	1.0	EA
6	T52517	END CAP	1.0	EA
7	T100015	STEERING COLUMN	1.0	EA
8	T7466	SET SCREW	4.0	EA
9	T13362	SPRING WASHER	4.0	EA
10	T15819	PLAIN WASHER	4.0	EA
11	T51661	SEAL KIT	1.0	EA
12	T5637	BONDED SEAL	3.0	EA
13	T100392	ADAPTOR	1.0	EA
14	T13606	ADAPTOR	1.0	EA
15	T18781	STEERING/PRIORITY VALVE	1.0	EA
16	T52378	SCREWS	2.0	EA
17	T18602	PRIORITY VALVE	1.0	EA
18	T18601	STEERING VALVE	1.0	EA
19	T51662	SEAL KIT	1.0	EA
20	T5596	HYDRAULIC SEAL	2.0	EA
21	T13936	ADAPTOR	2.0	EA
22	T11165	ADAPTOR	1.0	EA
23	T100742	SET SCREW	2.0	EA
24	T100628	COLUMN SWITCH	1.0	EA
25	T100037	COLUMN SWITCH LIGHTS	1.0	EA



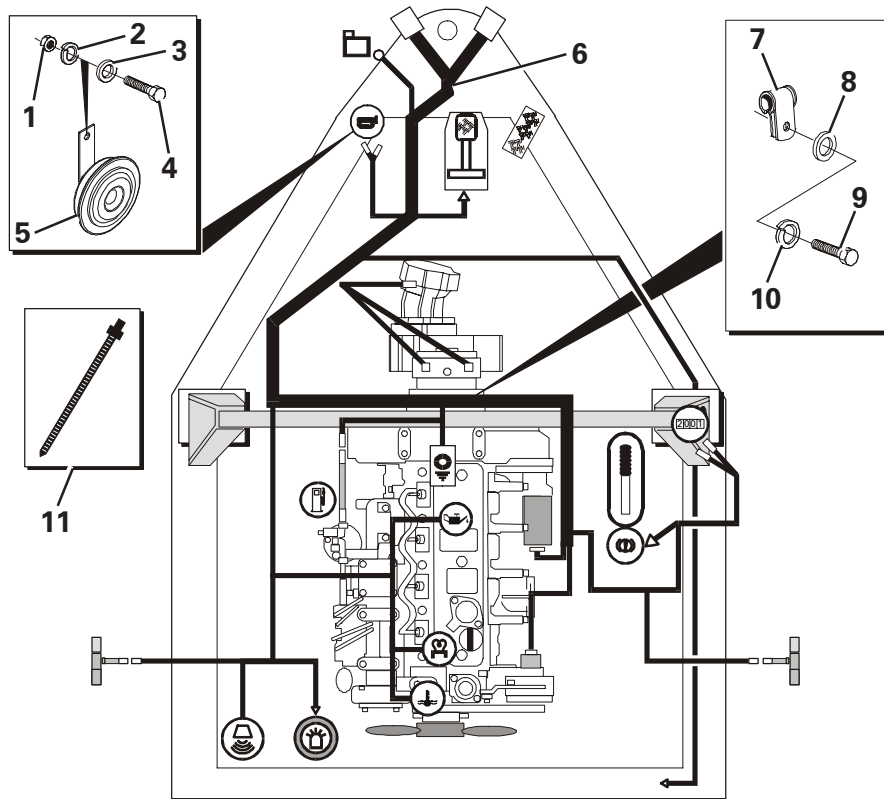
FRONT & REAR LIGHT ASSEMBLY



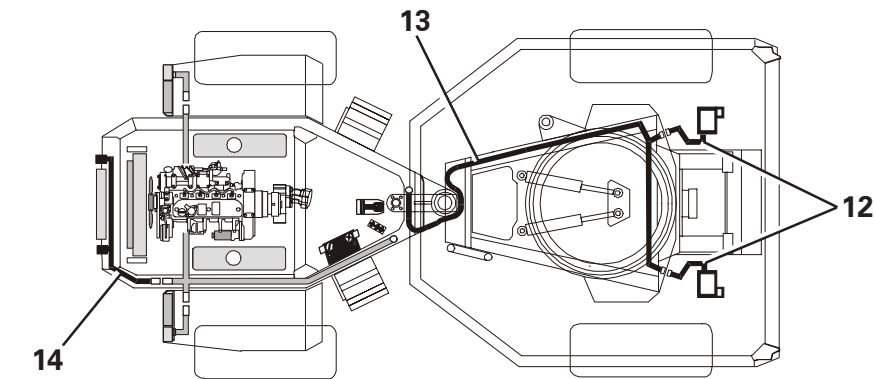
Item	Part No.	Description	Qty	U/M
1	T16957	NYLOC NUT	4.0	EA
2	T11440	WASHER	4.0	EA
3	T16675	CHEESE HEAD SET SCREW	4.0	EA
4	T16773	NUMBER PLATE LAMP	2.0	EA
5	T16774	NUMBER PLATE LIGHT PLINTH	2.0	EA
6	T16775	NUMBER PLATE LIGHT GASKET	2.0	EA
7	T101091	REAR LIGHT ASSEMBLY	2.0	EA
8	T14152	BOLT	4.0	EA
9	T10418	SHAKEPROOF WASHER	4.0	EA
10	T10431	NUT	4.0	EA
11	T13586	SIDE LT/FRONT INDICATOR	2.0	EA
	T13716	FRONT SIDE/IND LIGHT LENS	2.0	EA
12	T16611	SCREW	4.0	EA
13	T16612	PLAIN WASHER	4.0	EA
14	T16613	NYLOC NUT	4.0	EA
15	T100640	LIGHT BRKT LH	1.0	EA
16	T9775	NUT	8.0	EA
17	T12972	SPRING WASHER	8.0	EA
18	T9345	WASHER	8.0	EA
19	T12694	SET SCREW	8.0	EA
20	T100438	HEADLIGHT (CONT)	2.0	EA
	T52944	HEADLAMP UNIT (CONT)	2.0	EA
	T100425	HEADLIGHT (UK)	2.0	EA
	T52945	HEADLAMP UNIT (UK)	2.0	EA
21	T100617	LIGHT BRKT RH	1.0	EA
22	T13911	FLAT WASHER	4.0	EA
23	T6738	SPRING WASHER	4.0	EA
24	T10917	SET BOLT	4.0	EA

Front & Rear Light Assembly - Phase 3

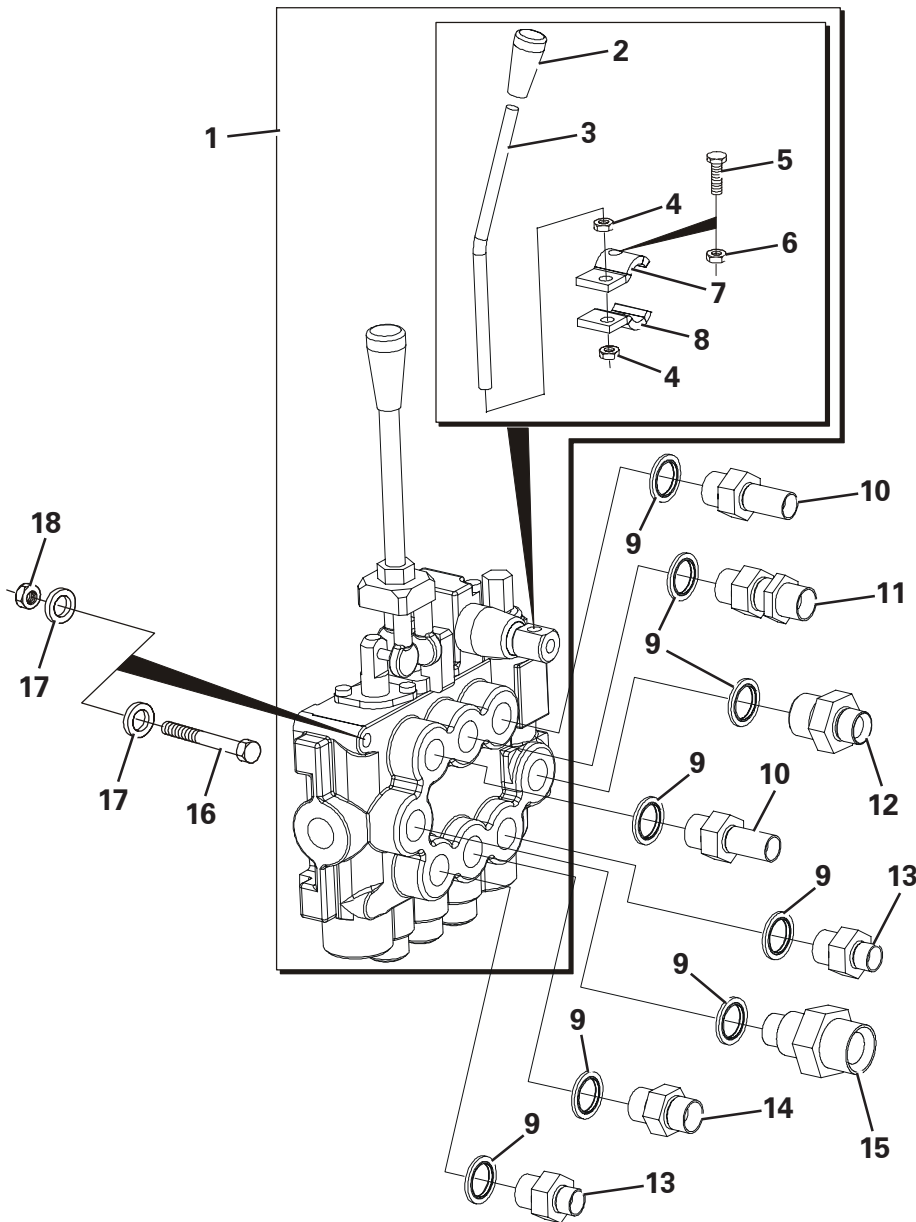
ENGINE & LIGHT HARNESS



Item	Part No.	Description	Qty	U/M
1	T10431	NUT	1.0	EA
2	T14837	SPRING WASHER	1.0	EA
3	T13911	FLAT WASHER	1.0	EA
4	T10917	SET BOLT	1.0	EA
5	T100017	HORN	1.0	EA
6	T101809	ENGINE HARNESS	1.0	EA
7	T9914	HOSE CLIP	1.0	EA
8	T10734	H/DUTY WASHER	1.0	EA
9	T7466	SET SCREW	1.0	EA
10	T13362	SPRING WASHER	1.0	EA
11	T9164	NYLON CLIPS	A/R	EA
12	T100250	FRONT LIGHT SUB HARNESS	2.0	EA
13	T101123	FRONT LIGHT HARNESS	1.0	EA
14	T101482	NUMBER PLATE HARNESS	1.0	EA

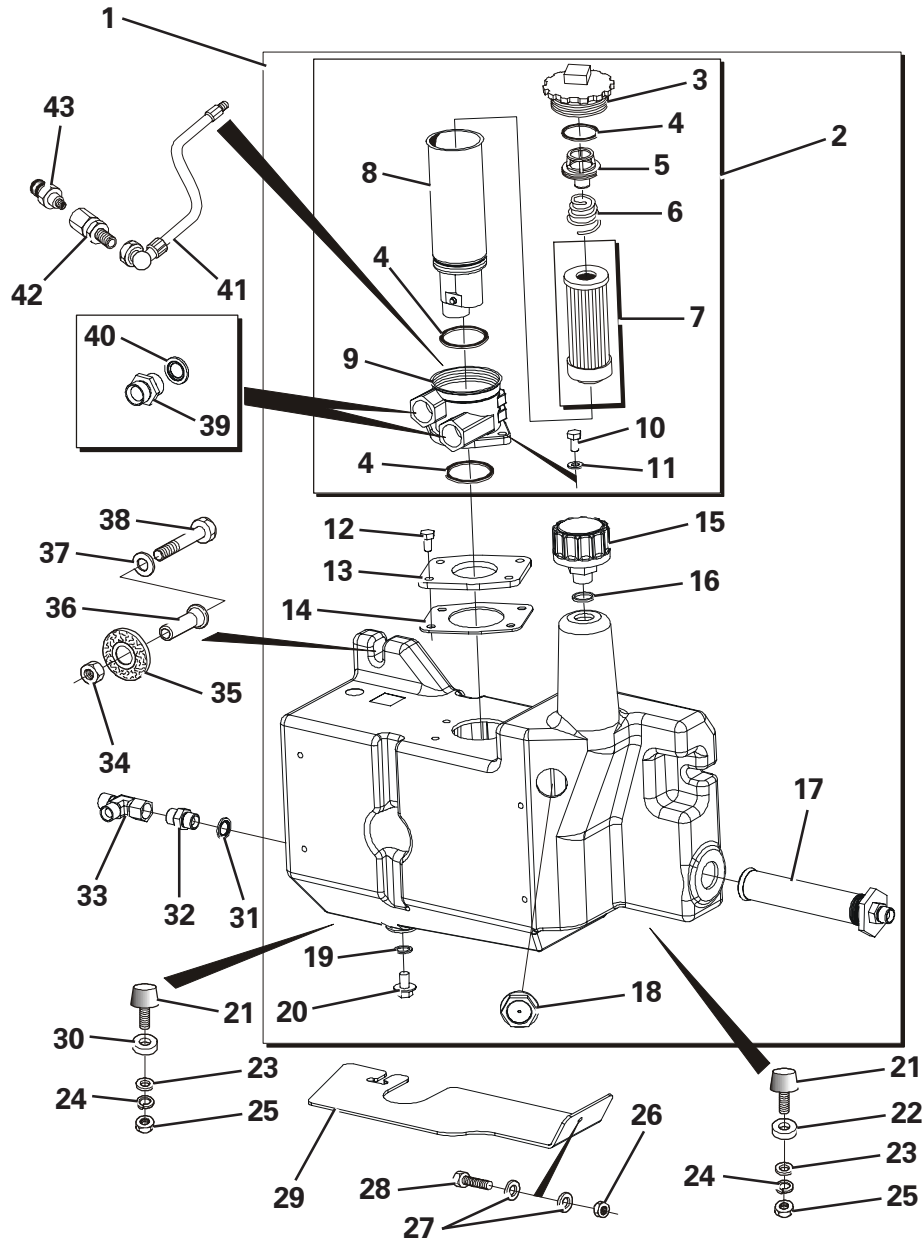


TIPPING VALVE ASSEMBLY



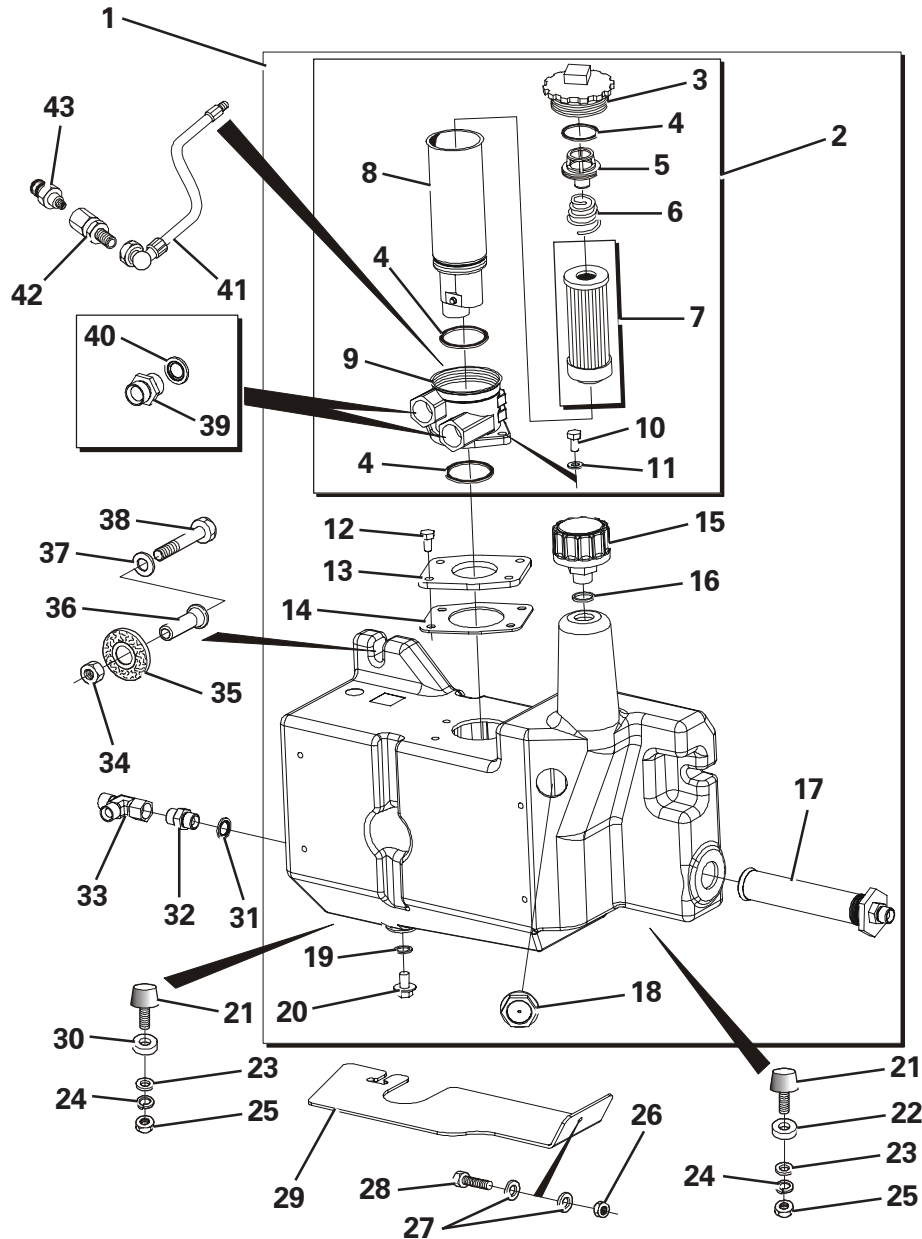
Item	Part No.	Description	Qty	U/M
1	T101145	TIPPING VALVE	1.0	EA
2	T101754	MOULDED HANDLE	1.0	EA
3	T101400	TIPPING VALVE LEVER	1.0	EA
4	T9775	NUT	2.0	EA
5	T101459	SET SCREW	1.0	EA
6	T13457	NYLOC NUT	1.0	EA
7	T101380	VALVE LEVER CLAMP PLATE RH	1.0	EA
8	T101379	VALVE LEVER CLAMP PLATE LH	1.0	EA
9	T5637	BONDED SEAL	8.0	EA
10	T101243	ADAPTOR	2.0	EA
11	T100392	ADAPTOR	1.0	EA
12	T102282	ADAPTOR	1.0	EA
13	T13888	ADAPTOR	2.0	EA
14	T13606	ADAPTOR	1.0	EA
15	T101324	ADAPTOR	1.0	EA
16	T17823	BOLT	2.0	EA
17	T13911	FLAT WASHER	4.0	EA
18	T16481	NYLOC NUT	2.0	EA

HYDRAULIC TANK ASSEMBLY



Item	Part No.	Description	Qty	U/M
1	T101082	HYD TANK ASSY	1.0	EA
2	T52497	RETURN FILTER	1.0	EA
3	T52948	COVER	1.0	EA
4	T52954	SEAL KIT	1.0	EA
5	T52949	SEPERATION PLATE	1.0	EA
6	T52950	SPRING	1.0	EA
7	T52692	HYDRAULIC FILTER	1.0	EA
8	T52951	BOWL	1.0	EA
9	T52952	HEAD	1.0	EA
10	T52599	FIXING BOLT	2.0	EA
11	T15819	PLAIN WASHER	2.0	EA
12	T52598	FIXING BOLT	2.0	EA
13	T52814	FILTER SEALING PLATE	1.0	EA
14	T52495	FILTER SEALING GASKET	1.0	EA
15	T52496	FILLER / BREATHER	1.0	EA
16	T5594	HYD SEAL	1.0	EA
17	T101240	SUCTION STRAINER	1.0	EA
18	T101085	LEVEL INDICATOR	1.0	EA
19*	T5830	FIBRE WASHER	1.0	EA
20*	T102431	DRAIN PLUG	1.0	EA
21	T100214	RUBBER BUFFER	2.0	EA
22	T101168	TANK MOUNTING SPACER	1.0	EA

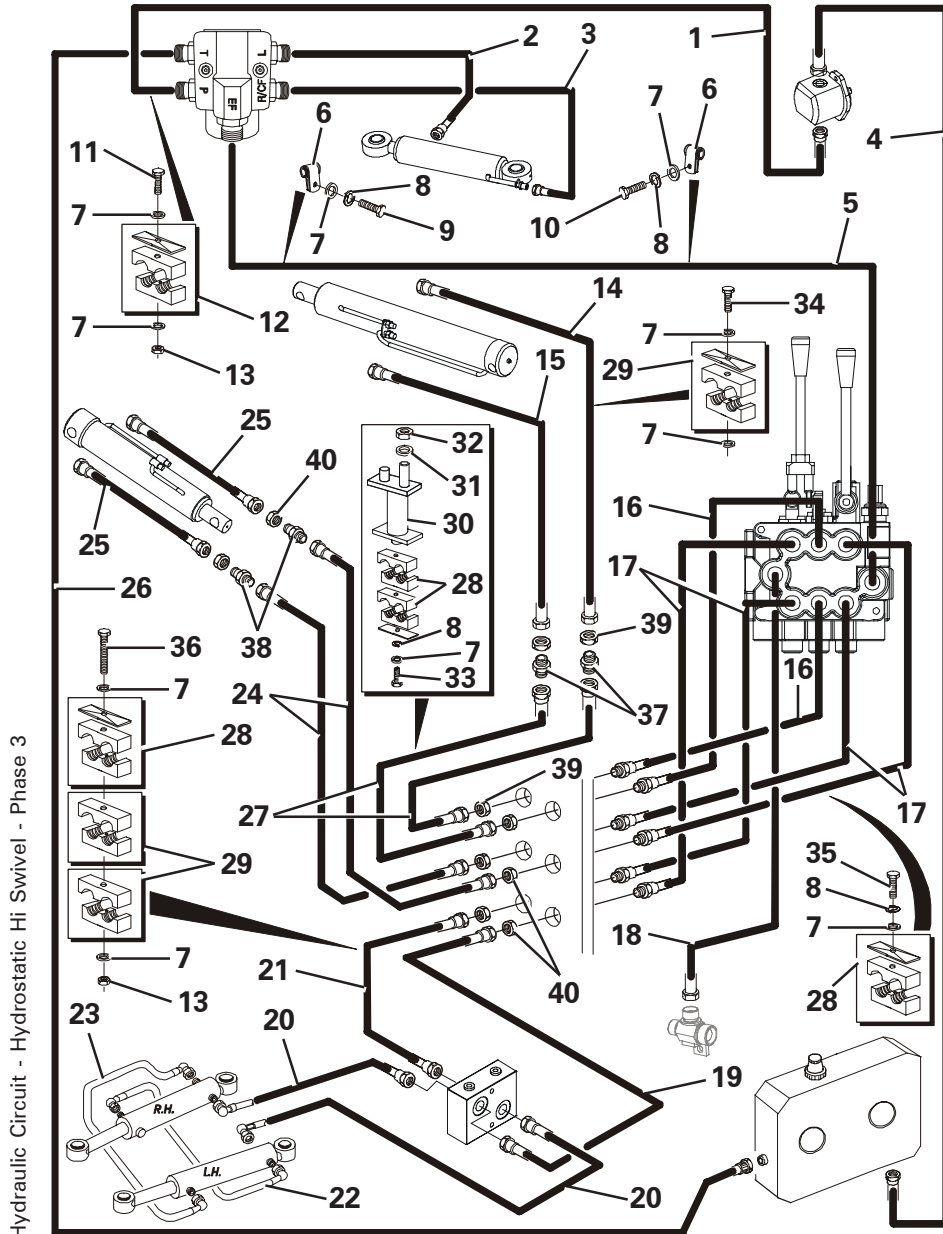
HYDRAULIC TANK ASSEMBLY



Item	Part No.	Description	Qty	U/M
23	T9345	WASHER	2.0	EA
24	T12972	SPRING WASHER	2.0	EA
25	T9775	NUT	2.0	EA
26	T16481	NYLOC NUT	1.0	EA
27	T13911	FLAT WASHER	2.0	EA
28	T16476	SET BOLT	1.0	EA
29	T101381	HYDRAULIC TANK GUARD	1.0	EA
30	T101383	TANK MOUNTING SPACER	1.0	EA
31	T5596	HYDRAULIC SEAL	1.0	EA
32	T13936	ADAPTOR	1.0	EA
33	T15532	TEE PIECE	1.0	EA
34	T13064	NUT	2.0	EA
35	T100323	RUBBER BACKED WASHER	2.0	EA
36	T100372	TANK SPACER	2.0	EA
37	T10734	H/DUTY WASHER	2.0	EA
38	T17963	BOLT	2.0	EA
39	T16972	ADAPTOR	2.0	EA
40	T6169	WASHER	2.0	EA
41	T100354	GREASE PIPE	1.0	EA
42	T101387	ADAPTOR	1.0	EA
43	T52953	INDICATOR	1.0	EA

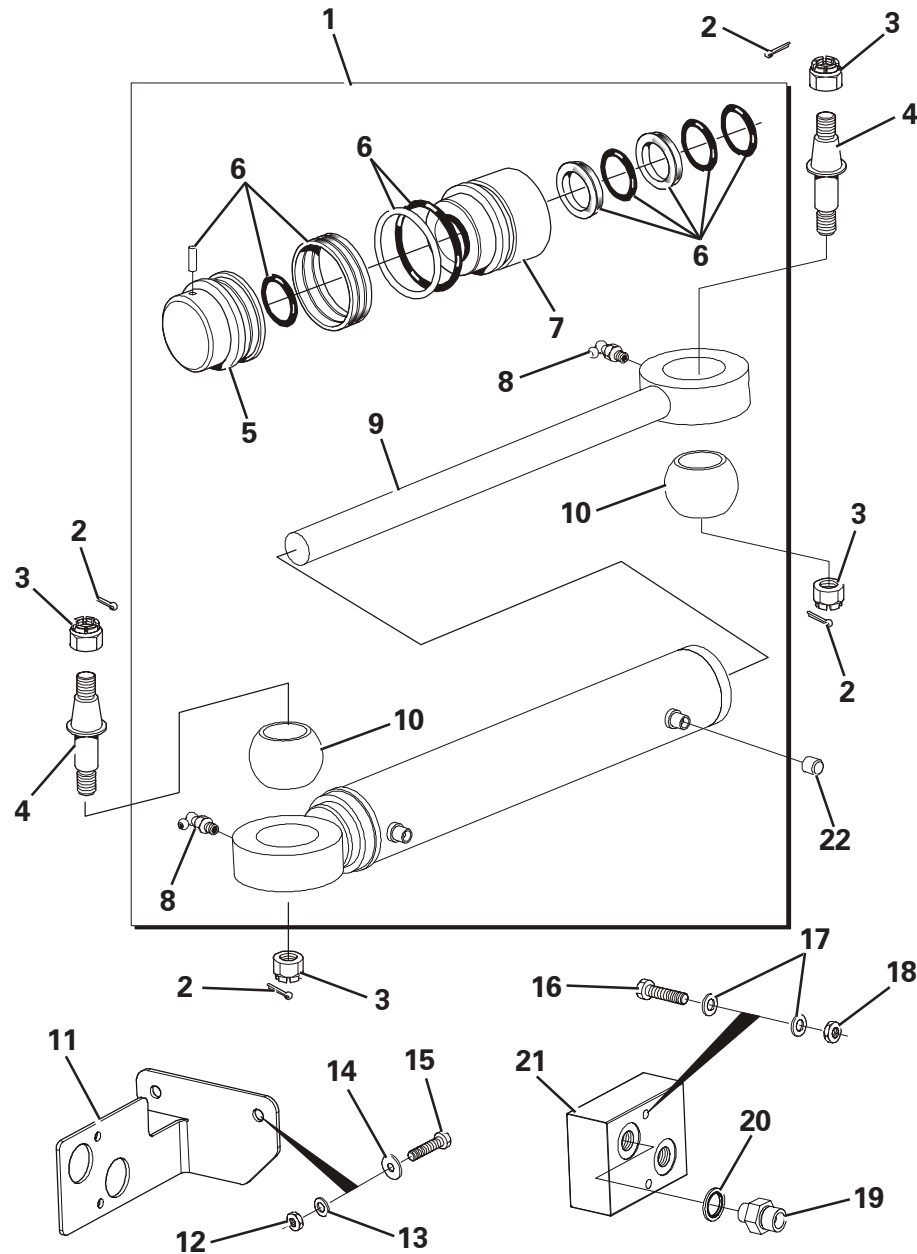
HYDRAULIC CIRCUIT - CONTROLS

Item	Part No.	Description	Qty	U/M
1	T101212	HOSE	1.0	EA
2	T101276	HOSE	1.0	EA
3	T101214	HOSE	1.0	EA
4	T101211	HOSE	1.0	EA
5	T101213	HOSE	1.0	EA
6	T9914	HOSE CLIP	2.0	EA
7	T12973	PLAIN WASHER	10.0	EA
8	T12972	SPRING WASHER	4.0	EA
9	T7465	SET SCREW	1.0	EA
10	T11673	SET BOLT	1.0	EA
11	T17157	BOLT	1.0	EA
12	T101389	PIPE CLAMP	1.0	EA
13	T13457	NYLOC NUT	2.0	EA
14	T101224	HOSE	1.0	EA
15	T101395	HOSE	1.0	EA
16	T101216	HOSE	2.0	EA
17	T101217	HOSE	4.0	EA
18	T101207	HOSE	1.0	EA
19	T100722	HOSE	1.0	EA
20	T18963	HYD HOSE	2.0	EA



Hydraulic Circuit - Hydrostatic Hi Swivel - Phase 3

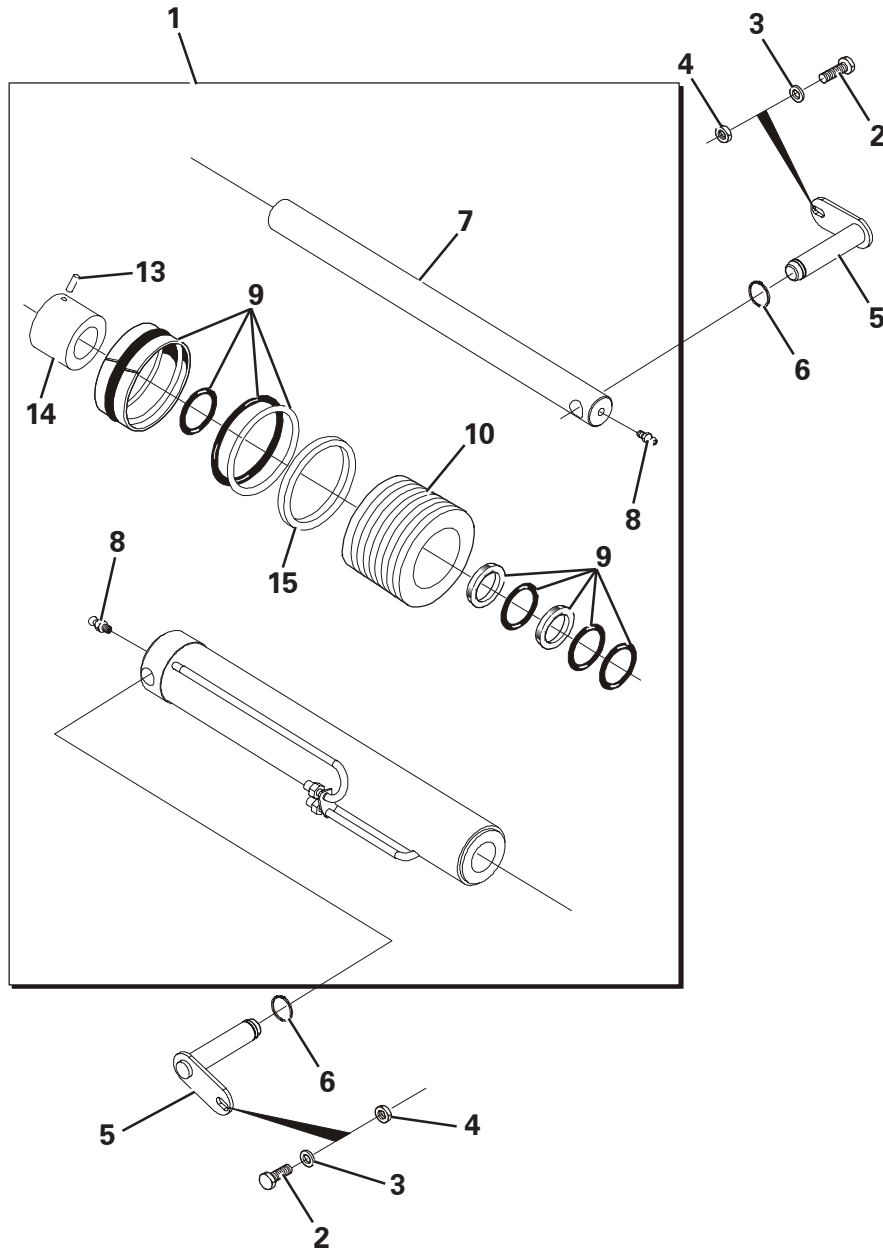
SLEW RAM & CROSS LINE RELIEF



Item	Part No.	Description	Qty	U/M
1*	T102157	SLEW RAM	2.0	EA
2	T6751	SPLIT PIN	8.0	EA
3	T100490	SLOTTED NUT	8.0	EA
4	T100483	RAM PIN	4.0	EA
5*	T53382	PISTON HEAD	1.0	EA
6*	T53478	SEAL KIT	1.0	EA
7*	T53479	GLAND	1.0	EA
8*	T53477	GREASE NIPPLE	2.0	EA
9*	T53476	ROD ASSEMBLY	1.0	EA
10*	T53379	SPHERICAL BEARING	2.0	EA
11	T101490	RELIEF VALVE BRACKET	1.0	EA
12	T13457	NYLOC NUT	2.0	EA
13	T12973	PLAIN WASHER	2.0	EA
14	T9345	WASHER	2.0	EA
15	T14152	BOLT	2.0	EA
16	T100388	BOLT	2.0	EA
17	T13911	FLAT WASHER	4.0	EA
18	T16481	NYLOC NUT	2.0	EA
19	T12118	ADAPTOR	4.0	EA
20	T5637	BONDED SEAL	4.0	EA
21	T17882	DUEL CROSS LINE RELIEF VALVE	1.0	EA
22*	T17556	BLANKING CAP	2.0	EA

Slew Ram & Cross Line Relief - Phase 3

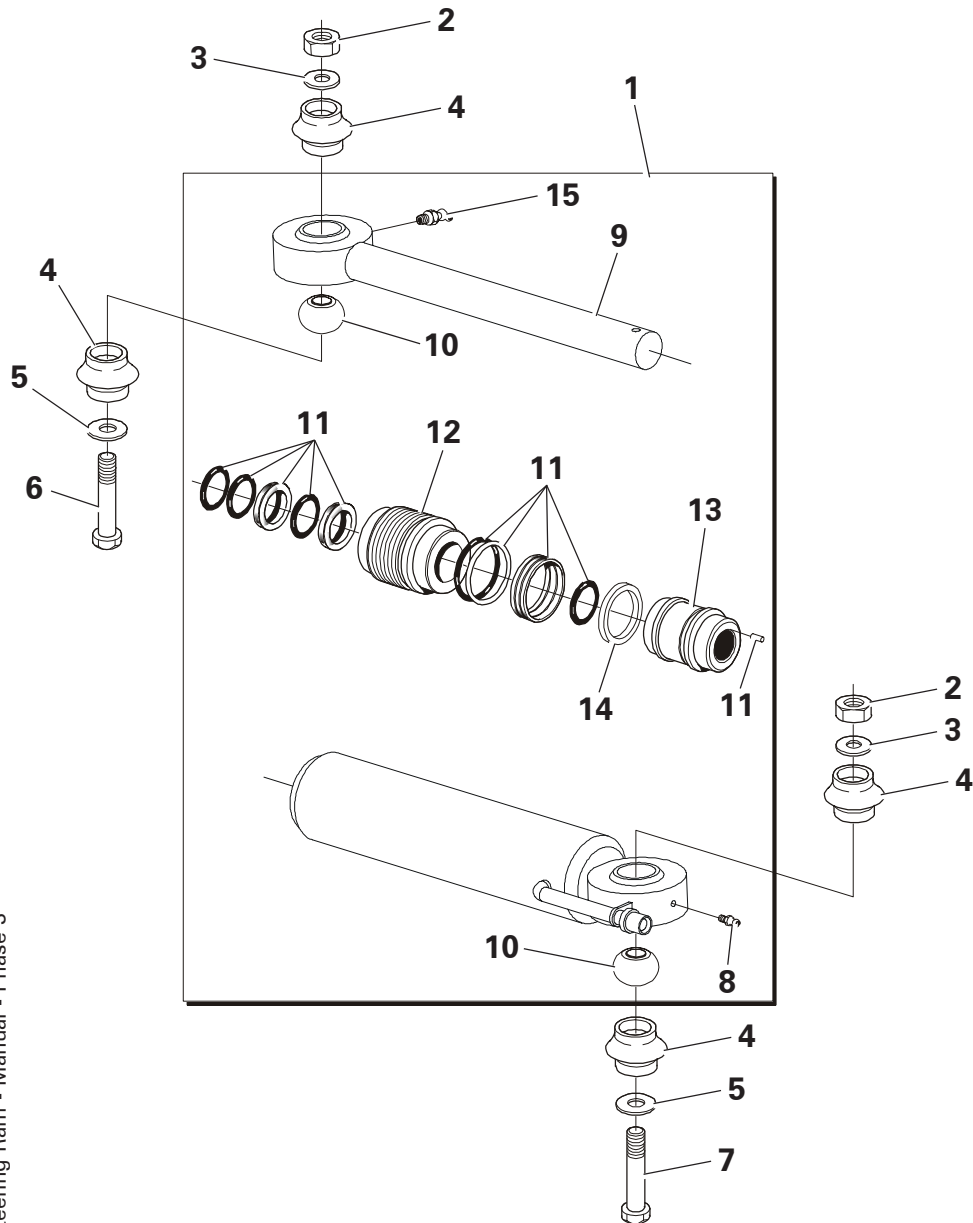
TIPPING RAM ASSEMBLY



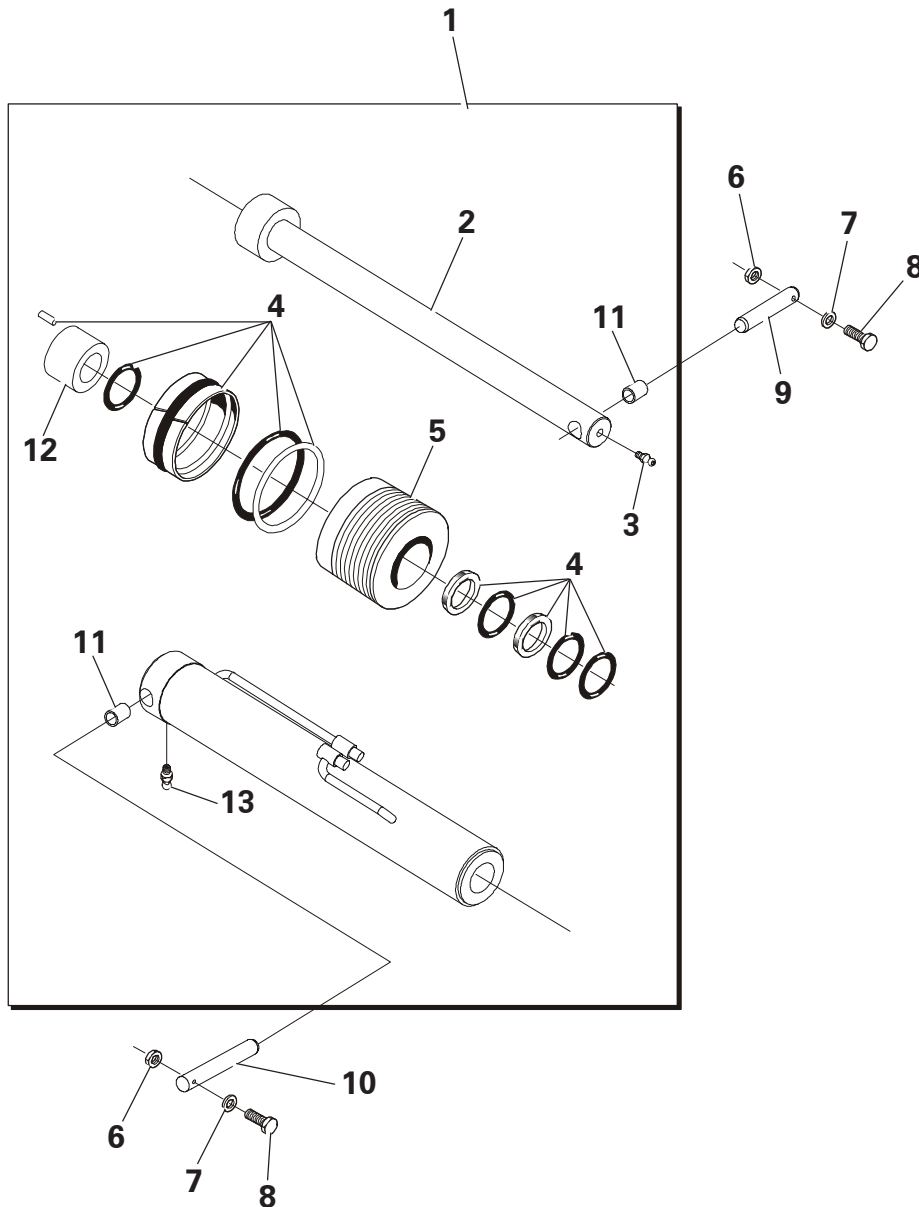
Item	Part No.	Description	Qty	U/M
1*	T102154	TIPPING RAM	1.0	EA
2	T16505	SET BOLT	2.0	EA
3	T10734	H/DUTY WASHER	2.0	EA
4	T13064	NUT	2.0	EA
5	T101019	PIVOT PIN	2.0	EA
6	T17301	CIRCLIP	2.0	EA
7*	T53480	ROD ASSEMBLY	1.0	EA
8*	T53445	GREASE NIPPLE	2.0	EA
9*	T53485	SEAL KIT	1.0	EA
10*	T53482	GLAND	1.0	EA
11*	DELETED			
12*	DELETED			
13*	T53484	GRUB SCREW	1.0	EA
14*	T53483	PISTON HEAD	1.0	EA
15*	T53481	SPACER	1.0	EA

STEERING RAM ASSEMBLY

Item	Part No.	Description	Qty	U/M
1*	T102156	STEERING RAM	1.0	EA
2	T10331	LOCKNUT	2.0	EA
3	T7695	WASHER	2.0	EA
4	T101038	RAM DUST SEAL	4.0	EA
5	T8327	WASHER	2.0	EA
6	T101119	PIVOT BOLT	1.0	EA
7	T101311	PIVOT BOLT	1.0	EA
8*	T53477	GREASE NIPPLE	1.0	EA
9*	T53486	ROD ASSEMBLY	1.0	EA
10*	T53379	SPHERICAL BEARING	2.0	EA
11*	T53384	SEAL KIT	1.0	EA
12*	T53385	GLAND	1.0	EA
13*	T53386	PISTON HEAD	1.0	EA
14*	T53487	SPACER	1.0	EA
15*	T53406	GREASE NIPPLE	1.0	EA

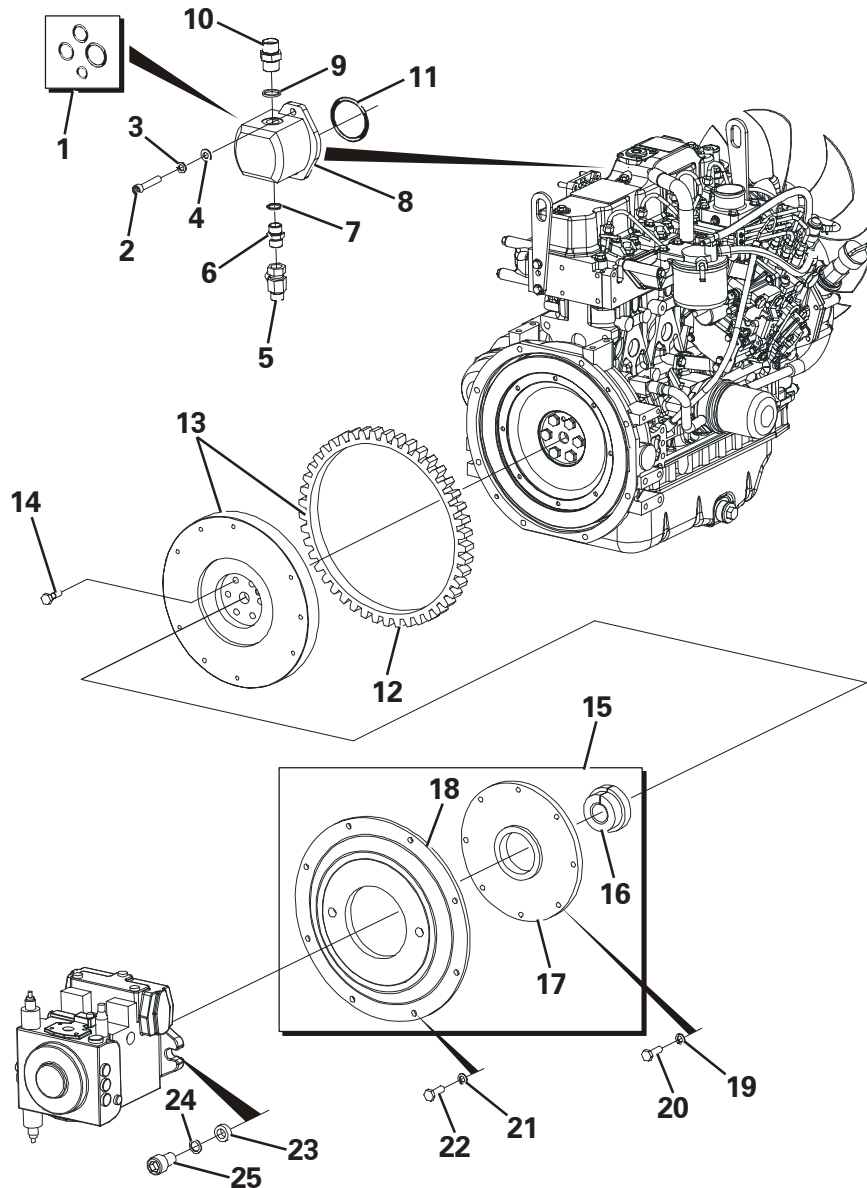


LIFT RAM ASSEMBLY



Item	Part No.	Description	Qty	U/M
1*	T102153	LIFT RAM	1.0	EA
2*	T53488	ROD ASSEMBLY	1.0	EA
3*	T53489	GREASE NIPPLE	1.0	EA
4*	T53490	SEAL KIT	1.0	EA
5*	T53491	GLAND	1.0	EA
6	T13457	NYLOC NUT	2.0	EA
7	T12973	PLAIN WASHER	2.0	EA
8	T17157	BOLT	2.0	EA
9	T17258	PIVOT PIN	1.0	EA
10	T18138	PIVOT PIN	1.0	EA
11*	T53499	PIN BUSH	4.0	EA
12*	T53492	PISTON HEAD	1.0	EA
13*	T53445	GREASE NIPPLE	1.0	EA

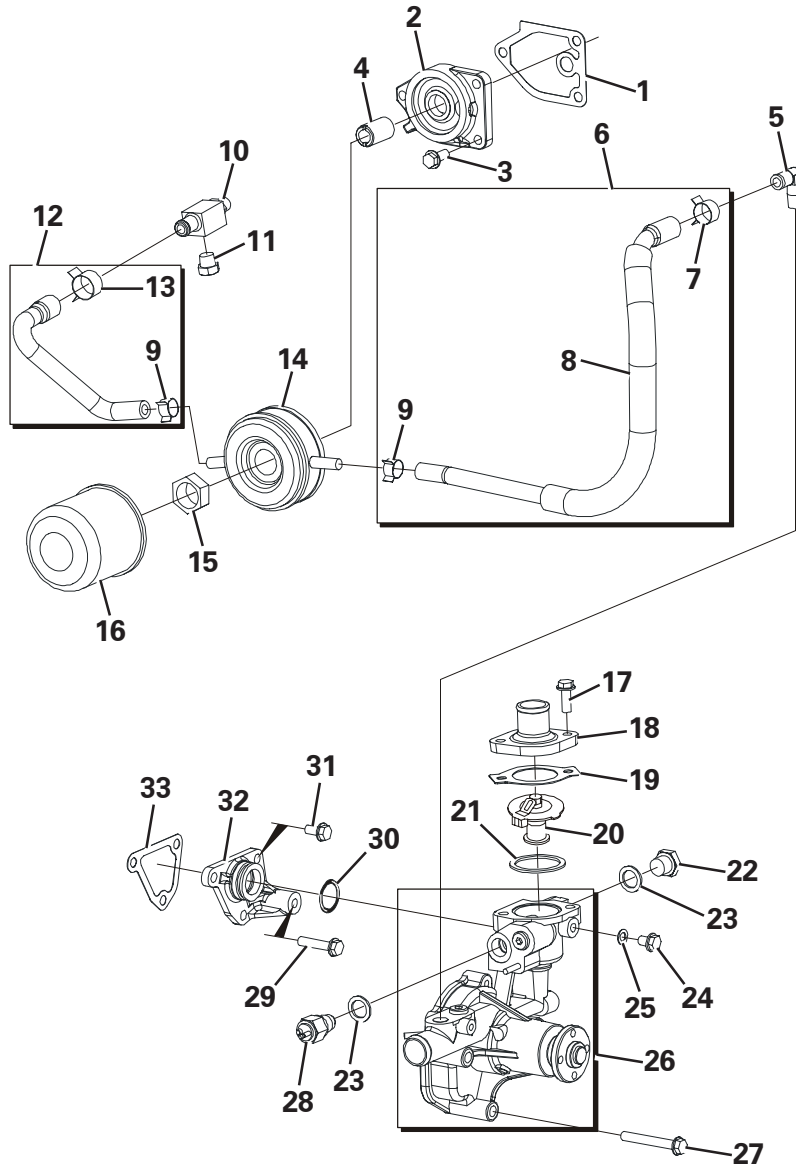
TRANSMISSION DRIVE & HYD. PUMP



Item	Part No.	Description	Qty	U/M
1	T51601	SEAL KIT	1.0	EA
2	T17969	SOCKET HEAD CAP SCREW	2.0	EA
3	T13362	SPRING WASHER	2.0	EA
4	T10734	HEAVY DUTY WASHER	2.0	EA
5	T18008	PRESSURE TEST POINT ADAPTOR	1.0	EA
6	T13936	ADAPTOR	1.0	EA
7	T5596	DOWTY WASHER	1.0	EA
8	T101977	GEAR PUMP	1.0	EA
9	T5594	DOWTY WASHER	1.0	EA
10	T101609	ADAPTOR	1.0	EA
11	T52891	O RING	1.0	EA
12	T52837	RING GEAR	1.0	EA
13	T53168	FLYWHEEL W/RING GEAR	1.0	EA
14	T52838	BOLT	6.0	EA
15	T101117	PUMP COUPLING	1.0	EA
16	T53165	FLANGE	1.0	EA
17	T53166	HUB	1.0	EA
18	T53167	MOUNTING PLATE	1.0	EA
19	T12972	SPRING WASHER	8.0	EA
20	T14152	BOLT	8.0	EA
21	T13362	SPRING WASHER	8.0	EA
22	T7466	SET SCREW	8.0	EA
23	T100794	WASHER	2.0	EA
24	T20699	SCHNORR WASHER	2.0	EA
25	T100795	SOCKET HEAD CAP SCREW	2.0	EA

Transmission Drive and Hyd Pump - Tier 2

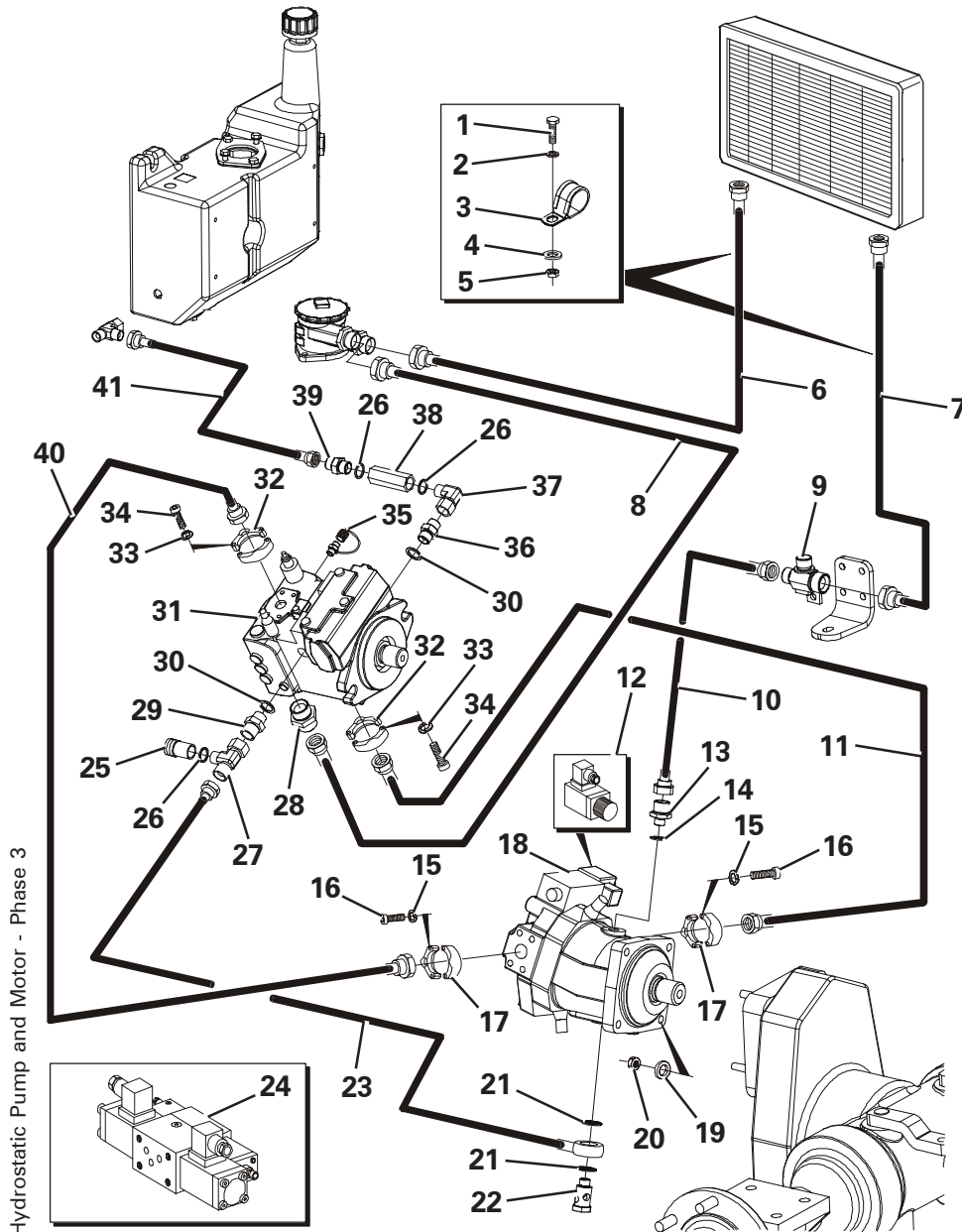
ENGINE OIL COOLER



Item	Part No.	Description	Qty	U/M
1	T53046	GASKET	1.0	EA
2	T53317	BRACKET FILTER	1.0	EA
3	T53043	BOLT	3.0	EA
4	T53355	STUD	1.0	EA
5	T52851	ELBOW	1.0	EA
6	T53472	PIPE ASSEMBLY	1.0	EA
7	T53362	CLAMP	1.0	EA
8	T53473	PIPE PROTECTOR	1.0	EA
9	T53361	CLAMP	2.0	EA
10	T53356	JOINT	1.0	EA
11	T52855	DRAIN PLUG	1.0	EA
12	T53357	PIPE COOLER IN	1.0	EA
13	T53358	CLAMP	1.0	EA
14	T53353	OIL COOLER ASSEMBLY	1.0	EA
15	T53354	NUT	1.0	EA
16	T53281	OIL FILTER	1.0	EA
17	T52843	BOLT	2.0	EA
18	T52844	THERMOSTAT COVER	1.0	EA
19	T52845	GASKET	1.0	EA
20	T53366	THERMOSTAT	1.0	EA
21	T52847	GASKET	1.0	EA
22	T52873	PLUG	1.0	EA
23	T52872	GASKET	2.0	EA
24	T53365	BOLT	1.0	EA
25	T53367	GASKET	1.0	EA
26	T53363	WATER PUMP ASSEMBLY	1.0	EA
27	T52850	BOLT	3.0	EA
28	T52831	WATER TEMP SENDER	1.0	EA
29	T53368	BOLT	1.0	EA
30	T52841	O RING	1.0	EA
31	T52842	BOLT	3.0	EA
32	T53364	JOINT	1.0	EA
33	T52839	GASKET	1.0	EA

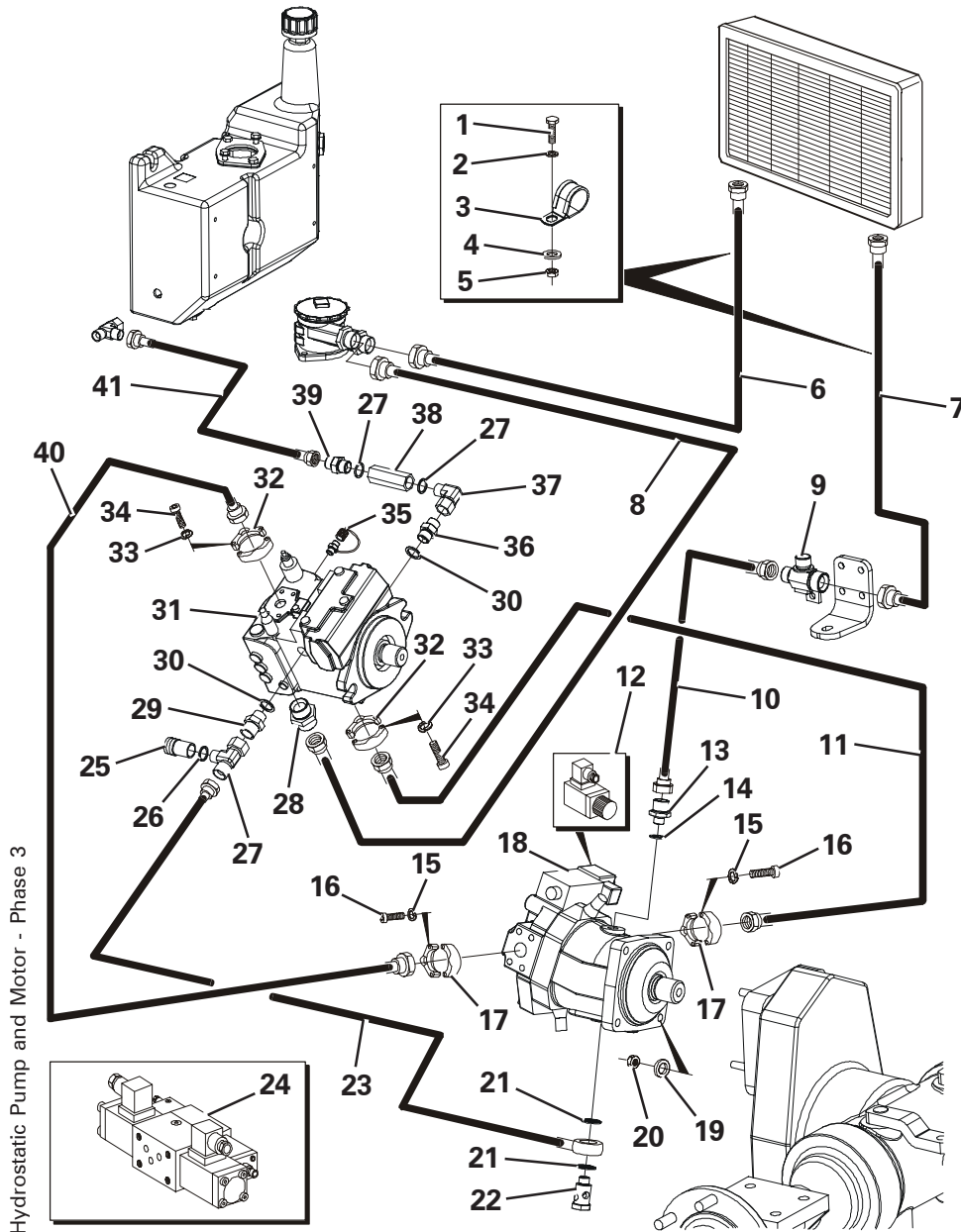
HYDROSTATIC PUMP & MOTOR

Item	Part No.	Description	Qty	U/M
1	T12694	SET SCREW	2.0	EA
2	T12973	PLAIN WASHER	2.0	EA
3	T101343	WASHER	2.0	EA
4	T9345	WASHER	2.0	EA
5	T13457	NYLOC NUT	2.0	EA
6	T101209	HOSE	1.0	EA
7	T101208	HOSE	1.0	EA
8	T101202	HOSE	1.0	EA
9	T100734	SPECIAL TEE	1.0	EA
10	T101206	HOSE	1.0	EA
11	T101203	HOSE	1.0	EA
12	T52912	SOLENOID	1.0	EA
13	T100785	CHECK VALVE	1.0	EA
14	T100797	DOWTY WASHER	1.0	EA
15	T14080	SPRING WASHER	8.0	EA
16	T16673	CAP SCREW	8.0	EA
17	T17761	SPLIT FLANGE CLAMPS	2.0	PR
18	T101014	HYD MOTOR	1.0	EA
19	T14748	PLAIN WASHER	4.0	EA
20	T14283	PHILIDAS NUT	4.0	EA
21	T5594	HYD SEAL	2.0	EA



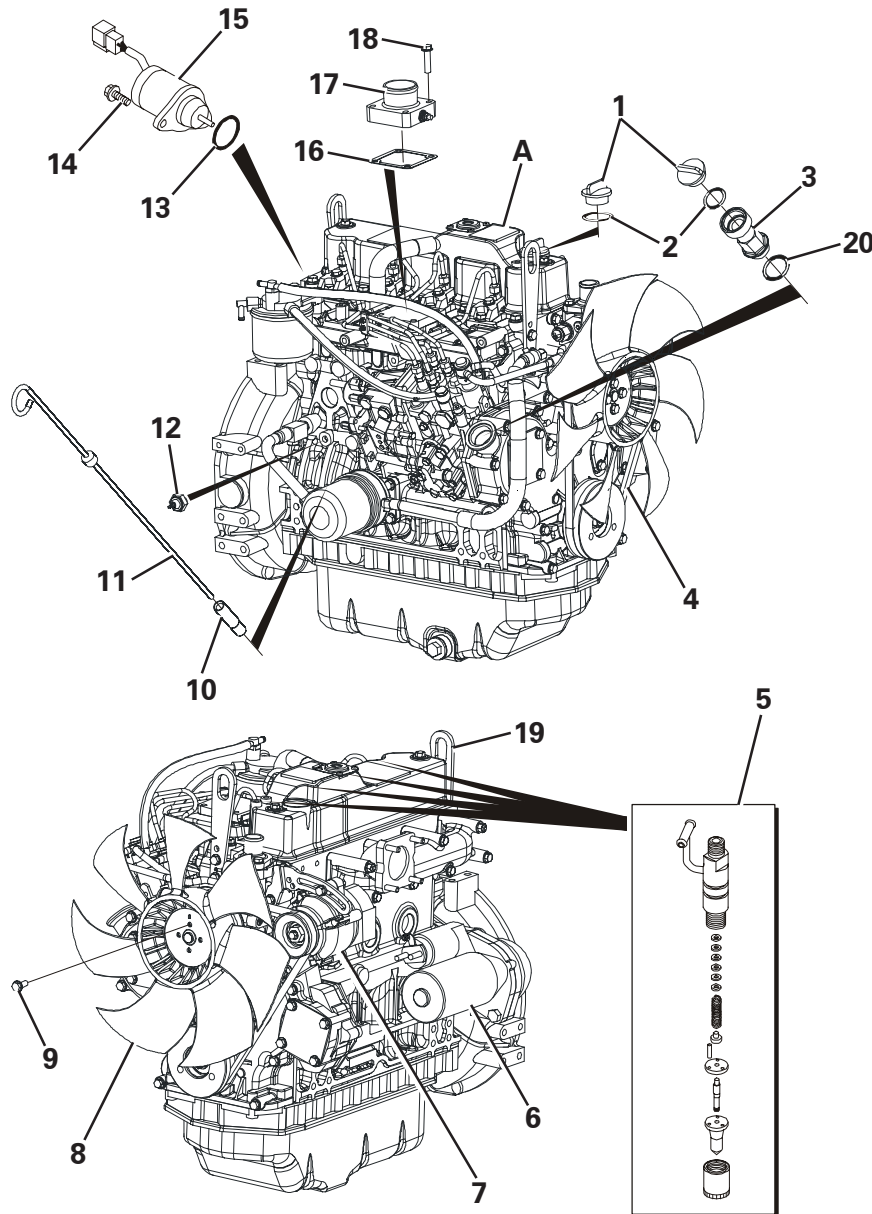
HYDROSTATIC PUMP & MOTOR

Item	Part No.	Description	Qty	U/M
22	T101272	BANJO BOLT	1.0	EA
23	T101205	HOSE	1.0	EA
24	T53169	SOLENOID	1.0	EA
25	T17782	FEMALE COUPLING	1.0	EA
26	T5596	HYDRAULIC SEAL	3.0	EA
27	T17481	TEE	1.0	EA
28	T101338	ADAPTOR	1.0	EA
29	T17724	ADAPTOR	1.0	EA
30	T17769	HYDRAULIC WASHER	2.0	EA
31	T101013	HYDRAULIC PUMP	1.0	EA
32	T17760	SPLIT FLANGE CLAMPS	2.0	PR
33	T13362	SPRING WASHER	8.0	EA
34	T17842	CAPSCREW	8.0	EA
35	T100681	HYDRAULIC GAUGE TEST POINT	1.0	EA
36	T20441	ADAPTOR	1.0	EA
37	T100771	ELBOW	1.0	EA
38	T100683	CHECK VALVE	1.0	EA
39	T13936	ADAPTOR	1.0	EA
40	T101204	HOSE	1.0	EA
41	T101210	HOSE	1.0	EA



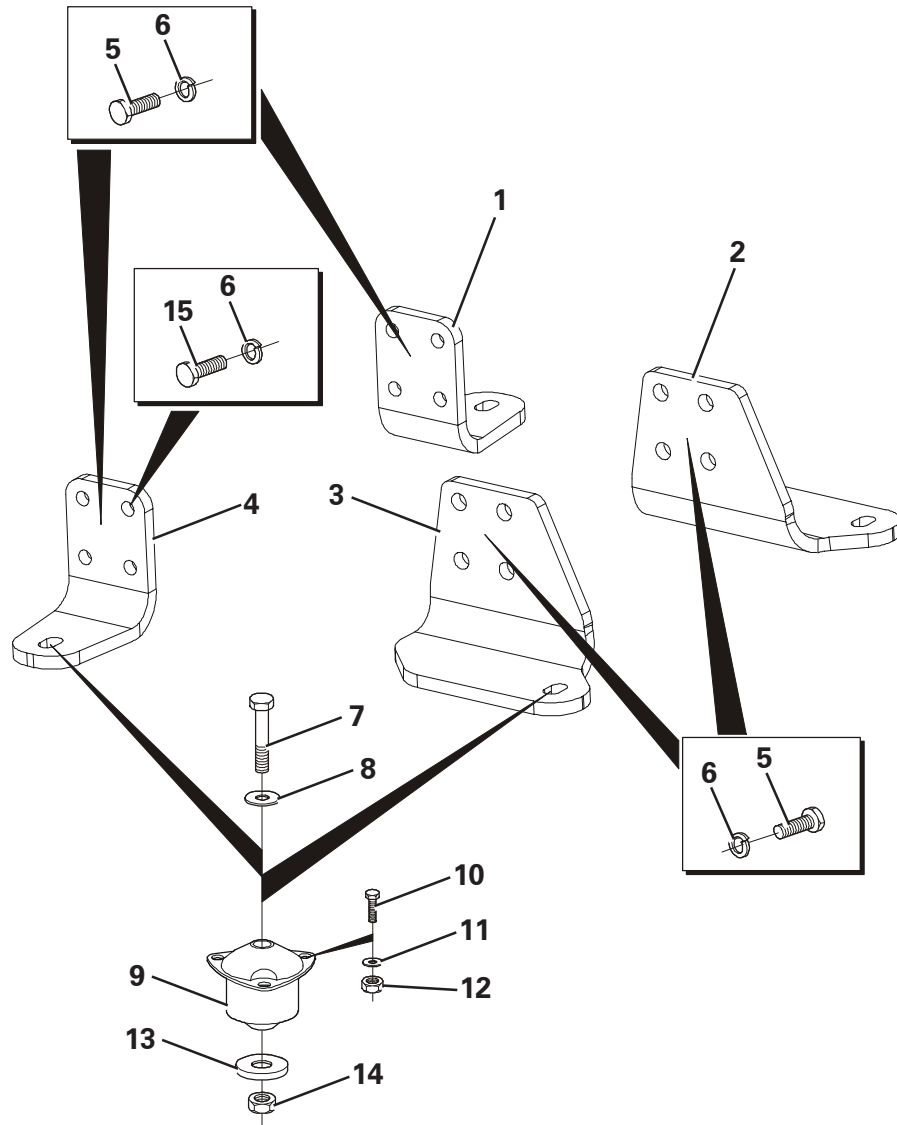
Hydrostatic Pump and Motor - Phase 3

ENGINE - ACCESSORIES



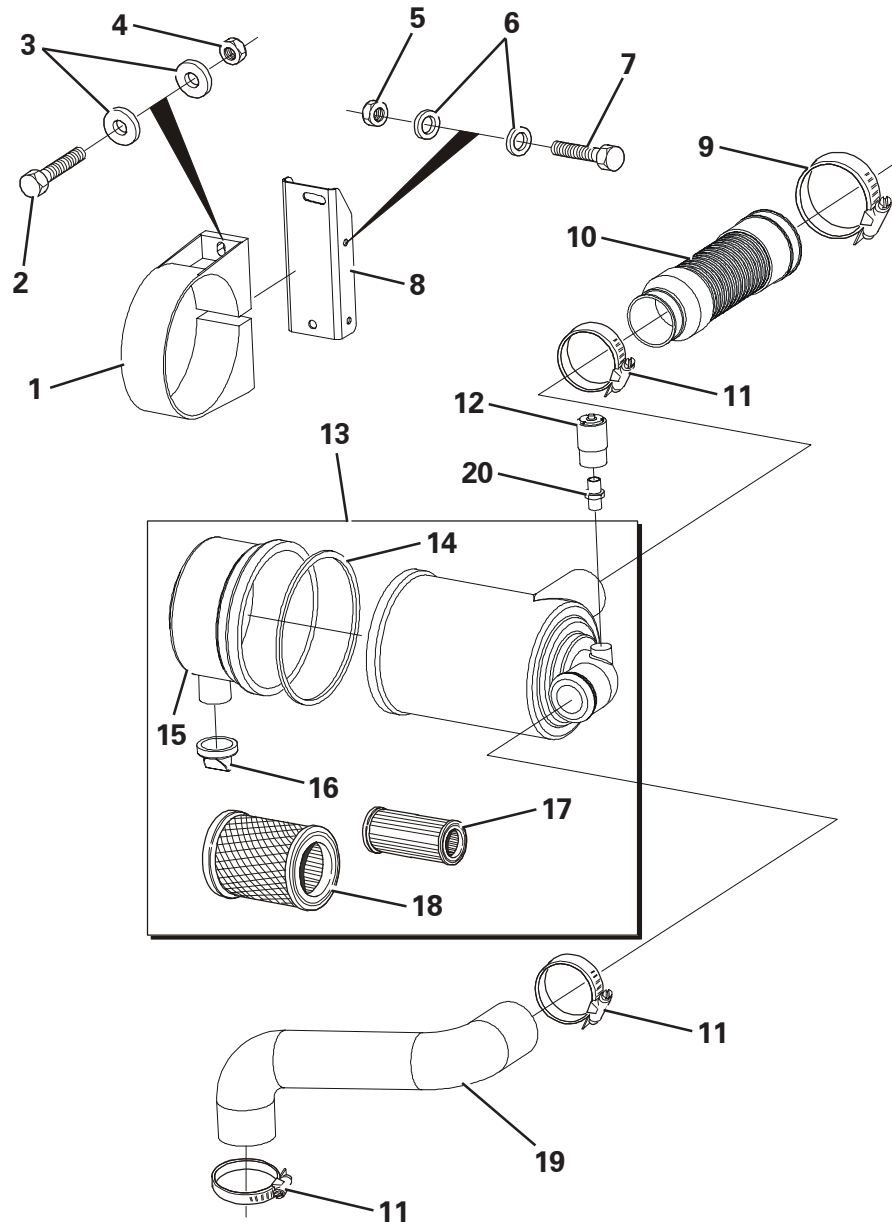
Item	Part No.	Description	Qty	U/M
A*	T102546	ENGINE	1.0	EA
1	T52816	CAP	2.0	EA
2	T52819	O RING	2.0	EA
3	T53142	PIPE ASSY	1.0	EA
4*	T53282	BELT	1.0	EA
5	T53322	VALVE ASSEMBLY	3.0	EA
6	T53462	STARTER MOTOR	1.0	EA
7	T53263	GENERATOR	1.0	EA
8*	T53320	FAN	1.0	EA
9	T53148	BOLT	4.0	EA
10	T53471	DIPSTICK GUIDE	1.0	EA
11	T53470	DIPSTICK	1.0	EA
12	T52832	OIL PRESSURE SWITCH	1.0	EA
13	T52829	O RING	1.0	EA
14	T52835	BOLT	2.0	EA
15	T52833	STOP SOLENOID	1.0	EA
16	T52824	GASKET	1.0	EA
17	T52823	HEATER	1.0	EA
18	T52825	BOLT	4.0	EA
19	T101247	ENGINE LIFTING EYE	1.0	EA
20	T53143	O RING	1.0	EA

ENGINE MOUNTINGS



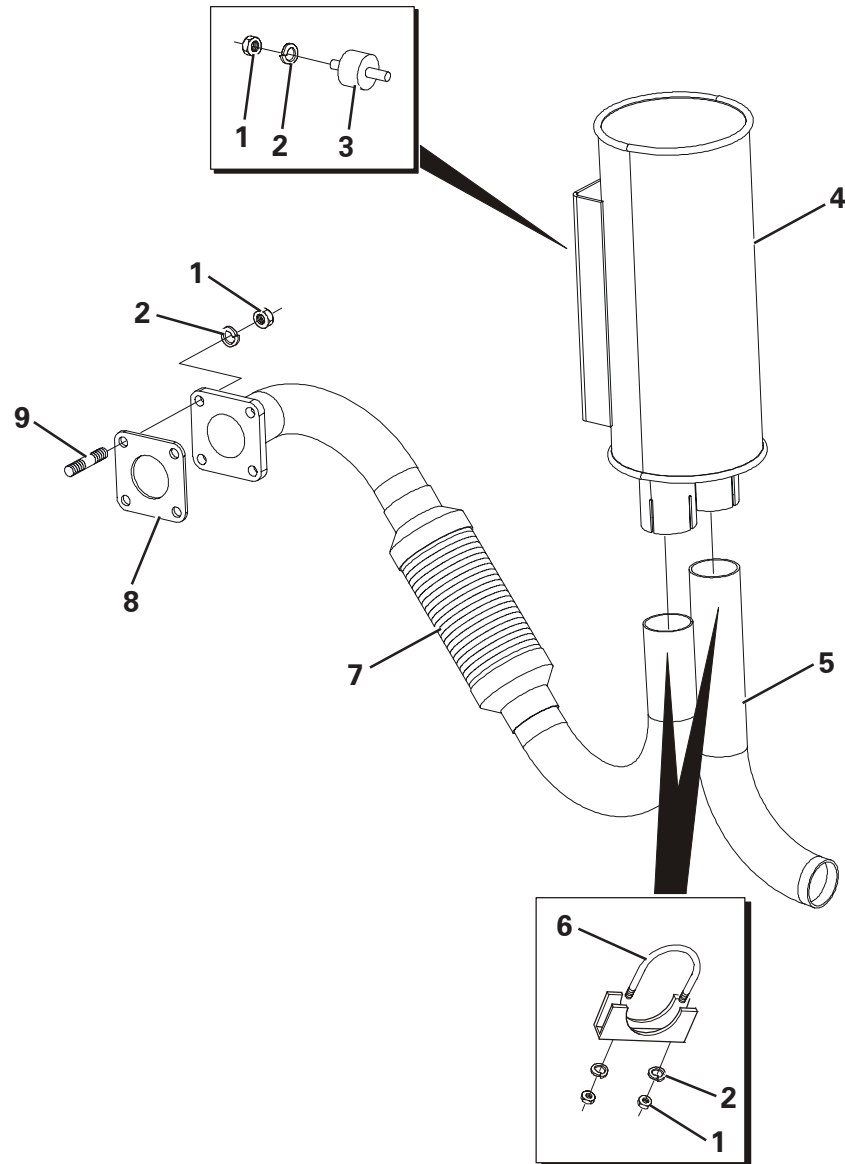
Item	Part No.	Description	Qty	U/M
1	T101105	FRONT ENGINE MOUNT RH	1.0	EA
2	T101018	REAR ENGINE MOUNT RH	1.0	EA
3	T101025	REAR ENGINE MOUNT LH	1.0	EA
4	T101027	FRONT ENGINE MOUNT LH	1.0	EA
5	T7466	SET SCREW	15.0	EA
6	T13362	SPRING WASHER	16.0	EA
7	T14819	BOLT	4.0	EA
8	T14748	PLAIN WASHER	4.0	EA
9	T14564	ENGINE MOUNT	4.0	EA
10	T12694	SET SCREW	12.0	EA
11	T12973	PLAIN WASHER	12.0	EA
12	T19007	PHILIDAS NUT	12.0	EA
13	T9046	WASHER	4.0	EA
14	T14283	PHILIDAS NUT	4.0	EA
15	T20618	SET SCREW	1.0	EA

AIR CLEANER ASSEMBLY



Item	Part No.	Description	Qty	U/M
1	T18422	AIR CLEANER BRACKET	1.0	EA
2	T14152	BOLT	2.0	EA
3	T9345	WASHER	4.0	EA
4	T13457	NYLOC NUT	2.0	EA
5	T16481	NYLOC NUT	3.0	EA
6	T13911	FLAT WASHER	6.0	EA
7	T16477	BOLT	3.0	EA
8	T101152	AIR CLEANER MTG BRKT	1.0	EA
9	T7540	JUBILEE CLIP	1.0	EA
10	T101182	FLEXIBLE AIR CLEANER HOSE	1.0	EA
11	T7872	JUBILEE CLIP	3.0	EA
12	T100282	RESTRICTION INDICATOR	1.0	EA
13	T101137	AIR CLEANER	1.0	EA
14	T53116	GASKET	1.0	EA
15	T53115	COVER ASSY	1.0	EA
16	T53117	VALVE	1.0	EA
17	T53119	INNER ELEMENT	1.0	EA
18	T53118	OUTER ELEMENT	1.0	EA
19	T101144	FLEXIBLE AIR CLEANER HOSE	1.0	EA
20	T102297	RESTRICTION INDICATOR ADAPTOR	1.0	EA

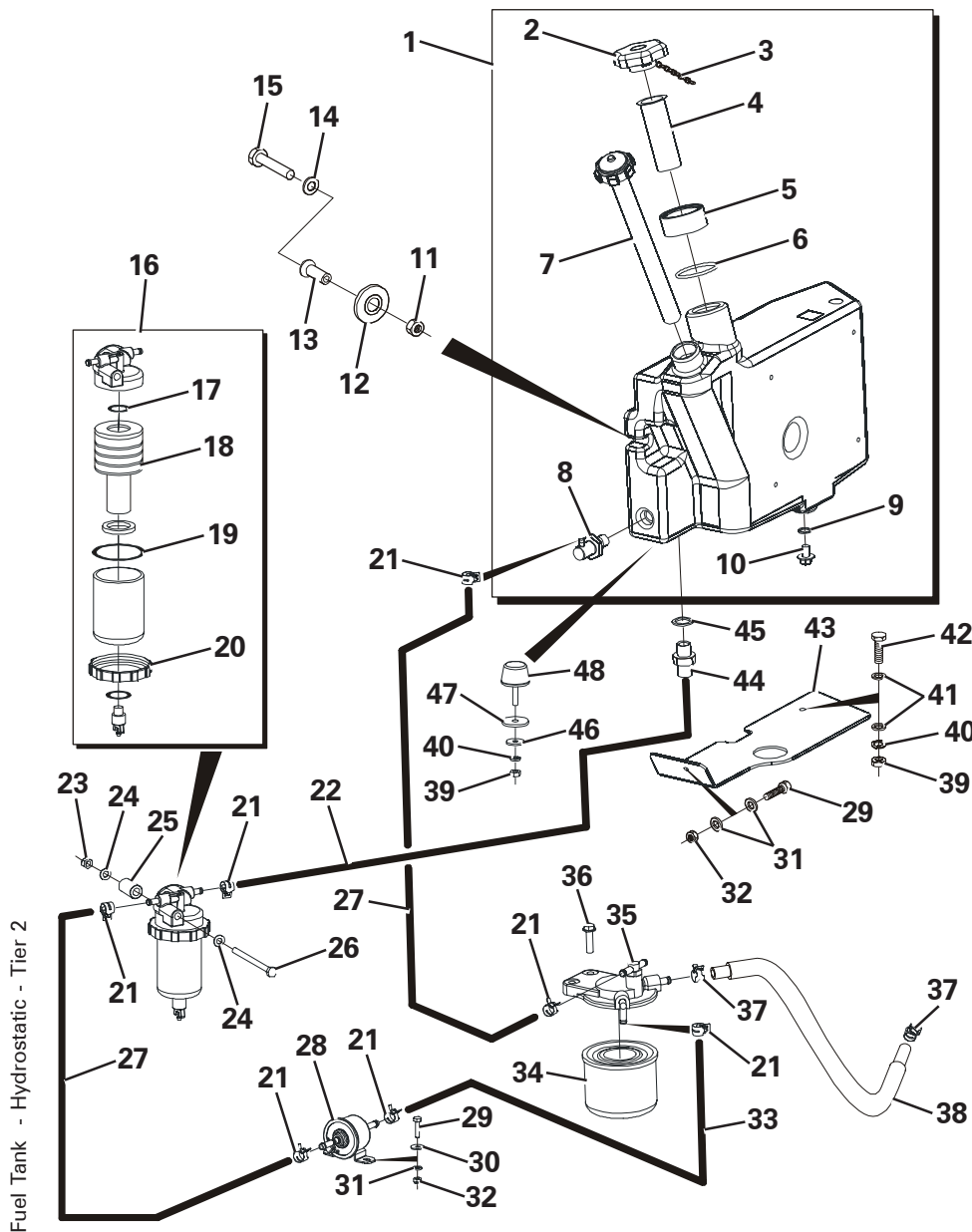
EXHAUST SYSTEM



Item	Part No.	Description	Qty	U/M
1	T9775	NUT	11.0	EA
2	T12972	SPRING WASHER	11.0	EA
3	T100796	RUBBER BUFFER	3.0	EA
4	T101160	SILENCER	1.0	EA
5	T101161	OUTLET PIPE	1.0	EA
6	T18834	EXHAUST CLAMP	2.0	EA
7	T101346	EXHAUST PIPE	1.0	EA
8	T53112	GASKET	1.0	EA
9	T52797	STUD	4.0	EA

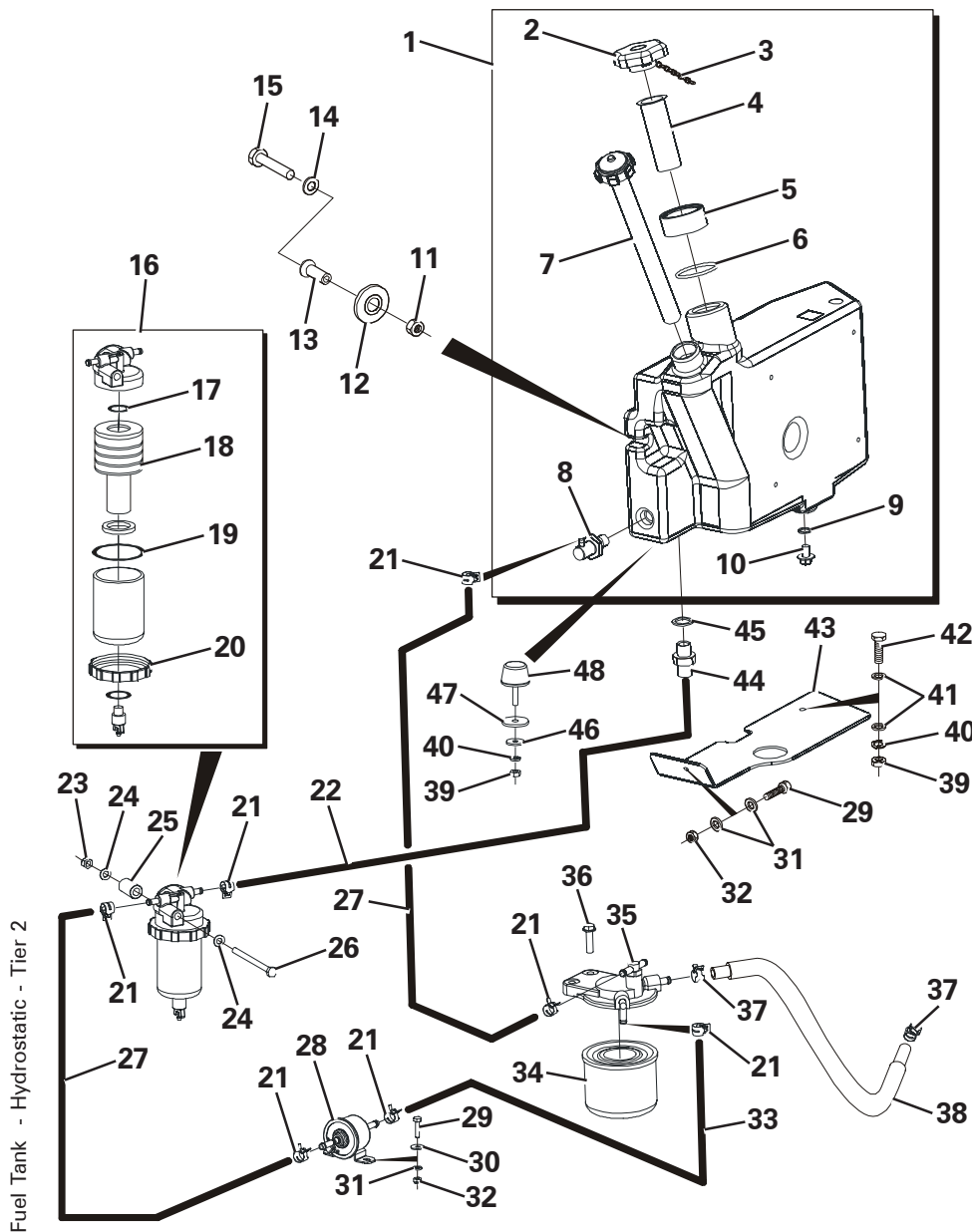
FUEL TANK ASSEMBLY

Item	Part No.	Description	Qty	U/M
1	T102007	FUEL TANK ASSY	1.0	EA
2	T52283	FUEL FILLER CAP	1.0	EA
3	T52437	FILLER CAP CHAIN	1.0	EA
4	T52284	STRAINER	1.0	EA
5	T52543	FILLER CAP COLLAR	1.0	EA
6	T52589	O RING	1.0	EA
7	T52498	LEVEL GAUGE	1.0	EA
8	T53211	FUEL RETURN ELBOW	1.0	EA
9	T52588	FIBRE WASHER	1.0	EA
10	T52282	DRAIN PLUG	1.0	EA
11	T13064	NUT	2.0	EA
12	T100323	RUBBER BACKED WASHER	2.0	EA
13	T100372	TANK SPACER	2.0	EA
14	T10734	H/DUTY WASHER	2.0	EA
15	T17963	BOLT	2.0	EA
16	T53328	SEPERATOR ASSEMBLY	1.0	EA
17	T52901	O RING	1.0	EA
18	T53329	ELEMENT	1.0	EA
19	T52899	O RING	1.0	EA
20	T52897	RING	1.0	EA
21	T100421	SPRING BAND CLAMP	7.0	EA
22	T102008	FUEL HOSE	1.0	EA
23	T13457	NYLOC NUT	1.0	EA
24	T12973	WASHER	2.0	EA

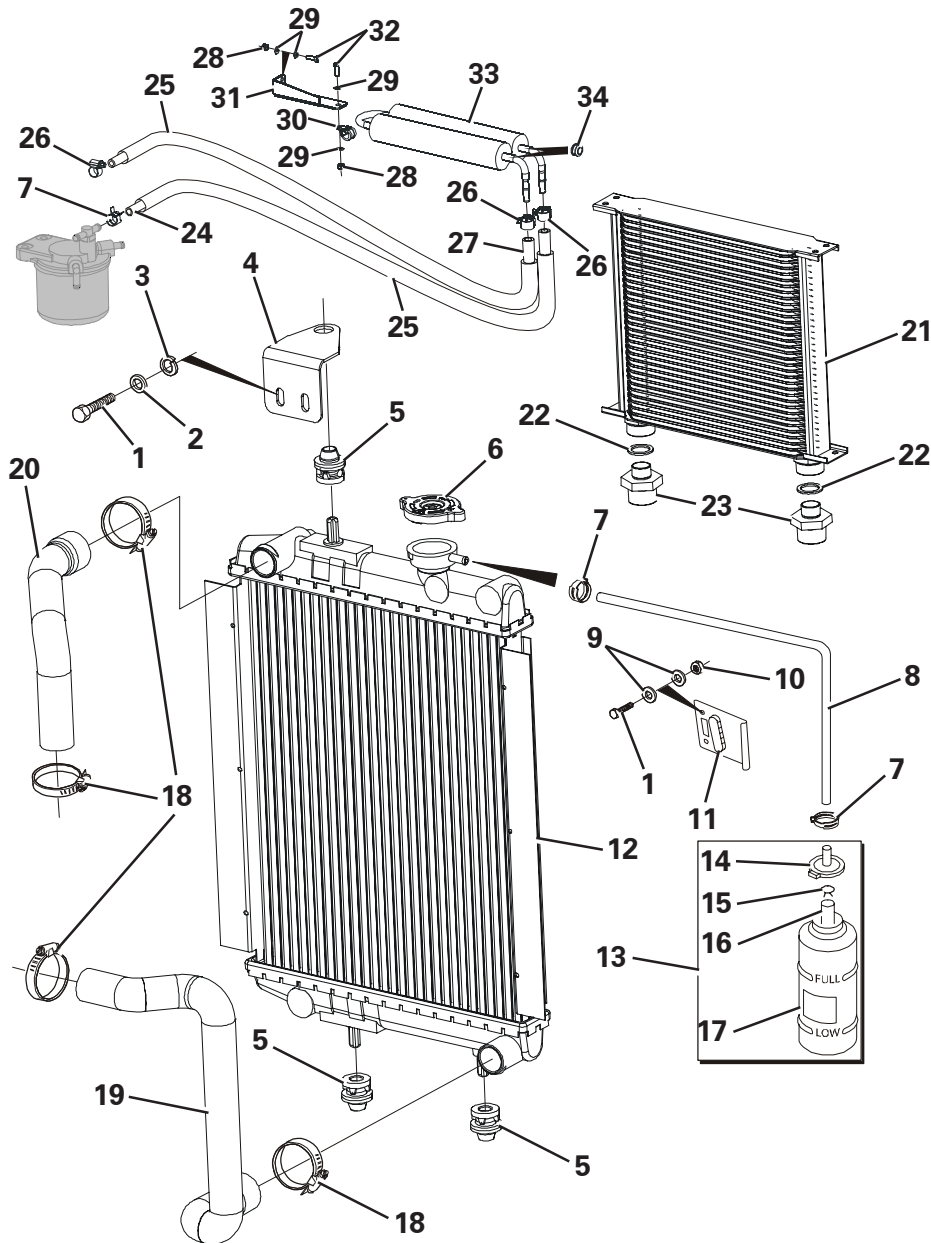


FUEL TANK ASSEMBLY

Item	Part No.	Description	Qty	U/M
25	T100935	SPACER TUBE	1.0	EA
26	T15658	BOLT	1.0	EA
27	T101819	FUEL HOSE	2.0	EA
28	T53230	PUMP ASSEMBLY	1.0	EA
29	T16476	SET SCREW	3.0	EA
30	T15830	WASHER HEAVY DUTY	2.0	EA
31	T13911	WASHER	4.0	EA
32	T16481	NYLOC NUT	3.0	EA
33	T102009	FUEL HOSE	1.0	EA
34	T53277	FUEL FILTER	1.0	EA
35	T53323	BRACKET FILTER	1.0	EA
36	T53324	BOLT	2.0	EA
37	T52882	CLAMP	2.0	EA
38	T53327	PIPE FUEL OIL	1.0	EA
39	T9775	NUT	3.0	EA
40	T12972	SPRING WASHER	3.0	EA
41	T12973	WASHER	2.0	EA
42	T14277	BOLT	1.0	EA
43	T101382	FUEL TANK GUARD	1.0	EA
44	T12118	ADAPTOR	1.0	EA
45	T10940	DOWTY WASHER	1.0	EA
46	T9345	HEAVY DUTY WASHER	2.0	EA
47	T101168	TANK MOUNTING SPACER	2.0	EA
48	T100214	RUBBER BUFFER	2.0	EA

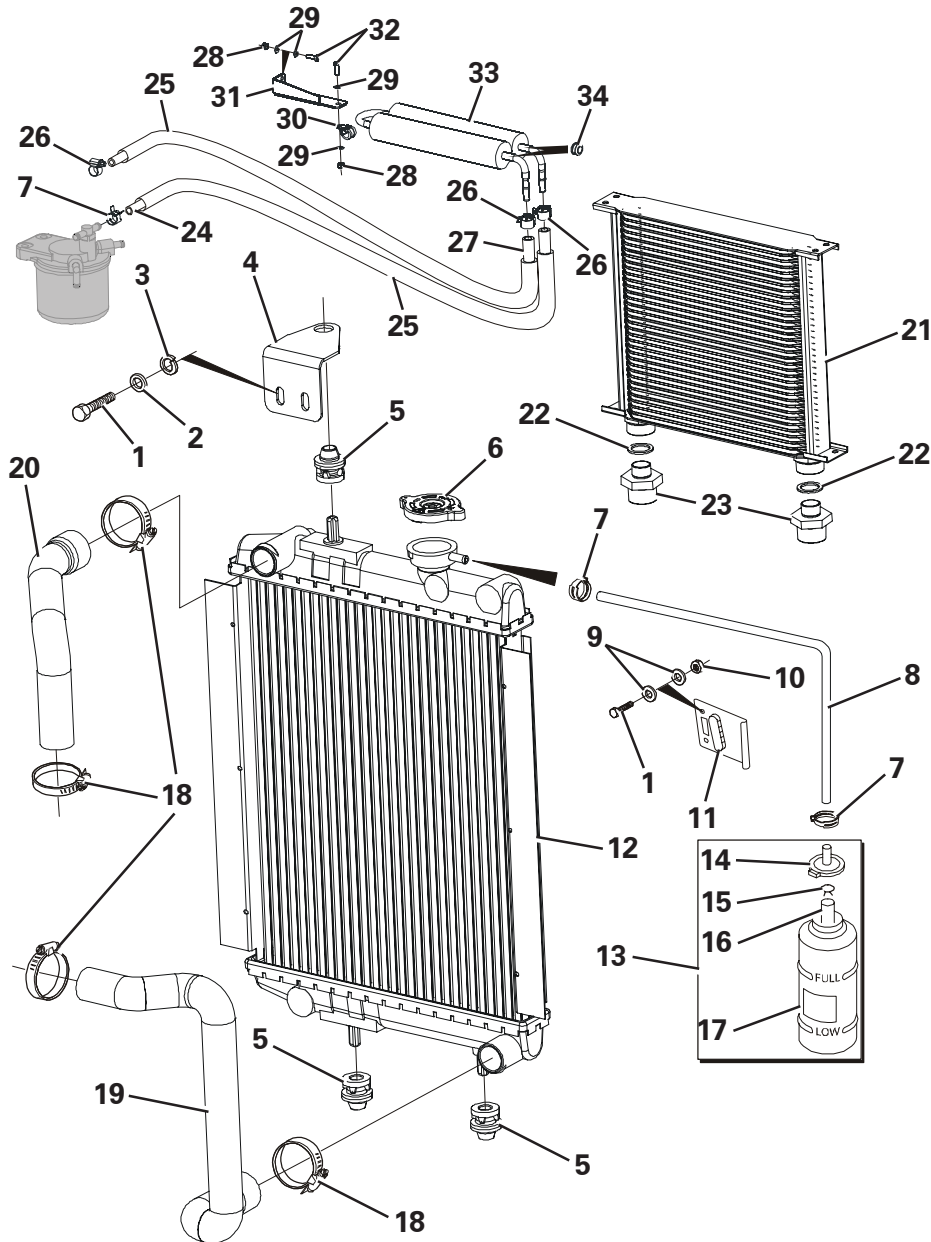


RADIATOR & OIL COOLER



Item	Part No.	Description	Qty	U/M
1	T7465	SET SCREW	4.0	EA
2	T9345	WASHER	2.0	EA
3	T12972	SPRING WASHER	2.0	EA
4*	T102551	TOP RADIATOR MOUNTING	1.0	EA
5	T101188	RADIATOR MTG RUBBER	3.0	EA
6	T53136	RADIATOR CAP	1.0	EA
7	T100421	SPRING BAND CLAMP	2.0	EA
8	T101219	RADIATOR OVERFLOW PIPE	1.0	EA
9	T12973	PLAIN WASHER	4.0	EA
10	T13457	NYLOC NUT	2.0	EA
11	T52805	BRACKET SUB-TANK	1.0	EA
12*	T102402	RADIATOR	1.0	EA
13	T52800	TANK ASSEMBLY	1.0	EA
14	T52802	CAP	1.0	EA
15	T52803	CLAMP	1.0	EA
16	T52804	PIPE	1.0	EA
17	T52801	TANK	1.0	EA

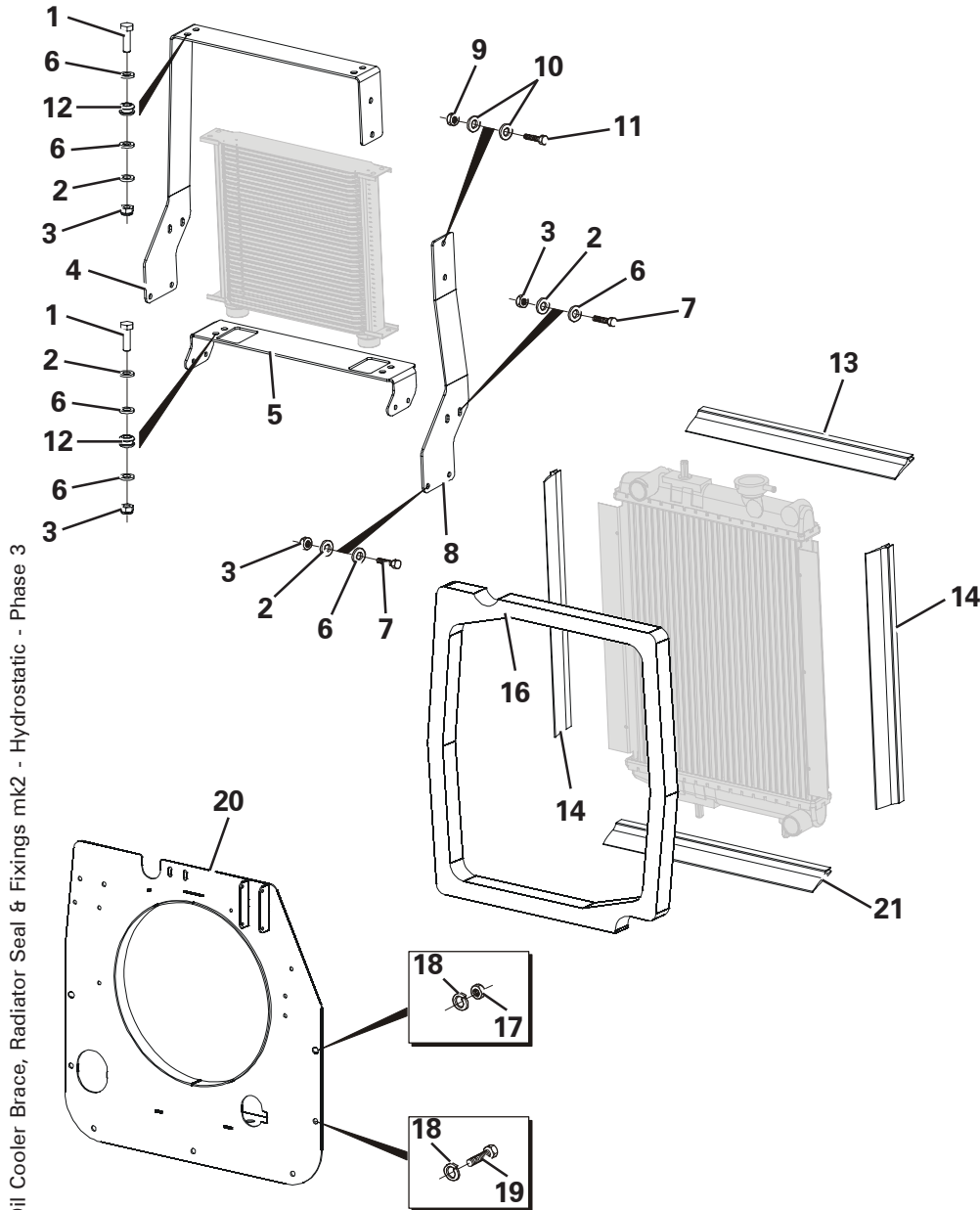
RADIATOR & OIL COOLER



Item	Part No.	Description	Qty	U/M
18	T6693	JUBILEE CLIP	4.0	EA
19	T101142	BTM RAD HOSE	1.0	EA
20	T101176	TOP RAD HOSE	1.0	EA
21	T101905	OIL COOLER	1.0	EA
22	T17769	HYDRAULIC WASHER	2.0	EA
23	T101971	ADAPTOR	2.0	EA
24*	T102556	FUEL HOSE	1.0	EA
25	T102175	PLASTIC CONDUIT	2.0	EA
26	T11459	JUBILEE CLIP	3.0	EA
27*	T102556	FUEL HOSE	1.0	EA
28	T16613	NYLOC NUT	3.0	EA
29	T16612	WASHER	6.0	EA
30	T101282	P CLIP	1.0	EA
31	T102209	FUEL COOLER SUPPORT BRKT	1.0	EA
32	T16610	CHEESE HEAD SCREW	3.0	EA
33	T102197	U-BEND FUEL COOLER	1.0	EA
34	T10540	GROMMET	2.0	EA

COOLER AND RADIATOR FIXINGS

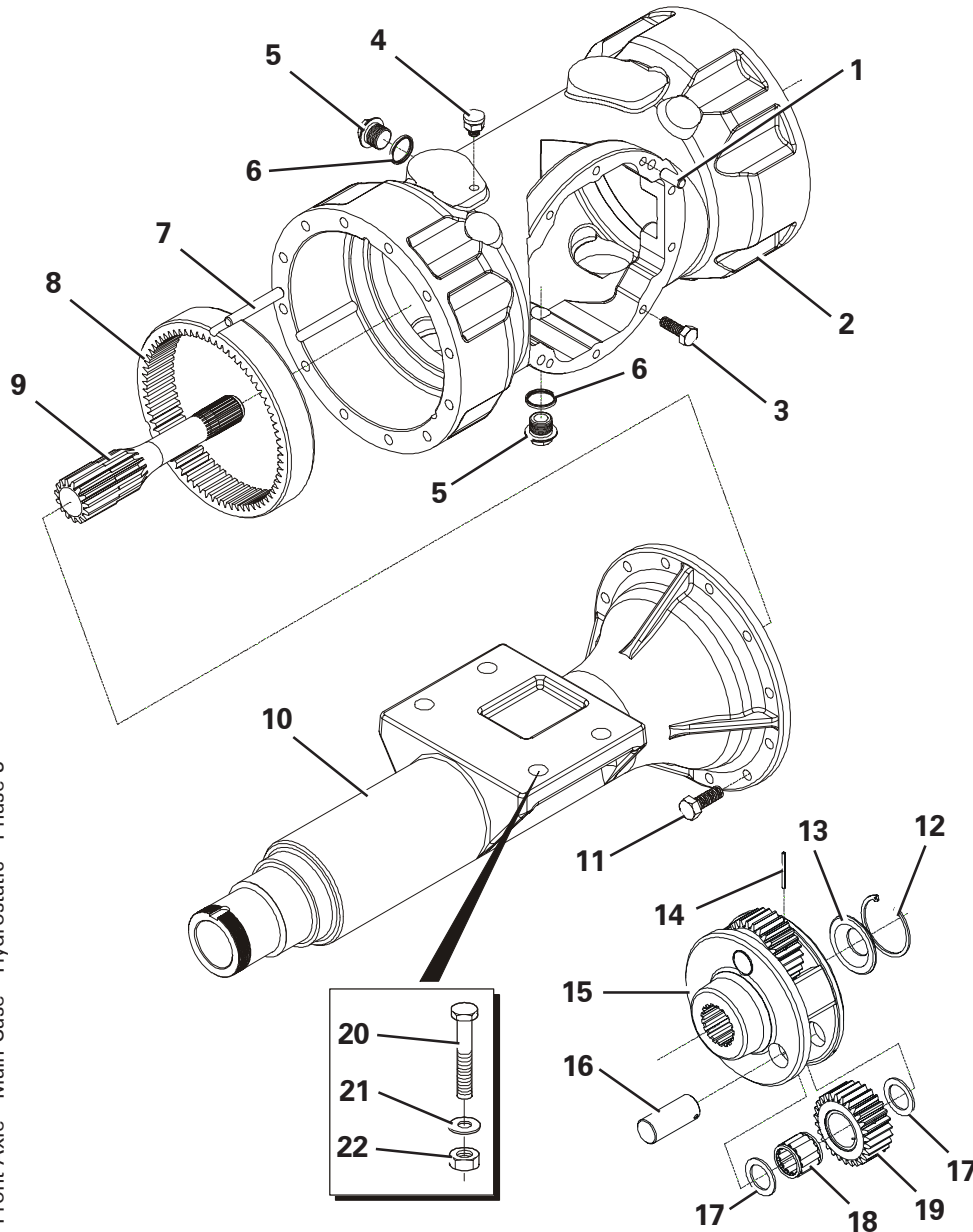
Item	Part No.	Description	Qty	U/M
1	T16476	SET BOLT	8.0	EA
2	T13911	FLAT WASHER	16.0	EA
3	T13910	PHILIDAS LOCKNUT	16.0	EA
4	T101922	OIL COOLER BRACE - TOP BRKT	1.0	EA
5	T101921	OIL COOLER MOUNTING	1.0	EA
6	T15830	FLAT WASHER	24.0	EA
7	T16477	BOLT	8.0	EA
8	T101923	OIL COOLER BRACE - SIDE BRKT	1.0	EA
9	T19007	PHILIDAS NUT	2.0	EA
10	T12973	PLAIN WASHER	4.0	EA
11	T7465	SET SCREW	2.0	EA
12	T101955	GROMMET	8.0	EA
13*	T101265	SEAL REAR COVER HORIZONTAL	1.0	EA
14	T101264	SEAL REAR COVER VERTICAL	2.0	EA
15*	DELETED			
16*	T102553	SEAL	1.0	EA
17	T12509	NUT	2.0	EA
18	T13362	SPRING WASHER	7.0	EA
19	T7466	SET SCREW	5.0	EA
20*	T102490	RADIATOR COWL	1.0	EA
21*	T102552	SEAL REAR COVER - BOTTOM	1.0	EA



Oil Cooler Brace, Radiator Seal & Fixings mk2 - Hydrostatic - Phase 3

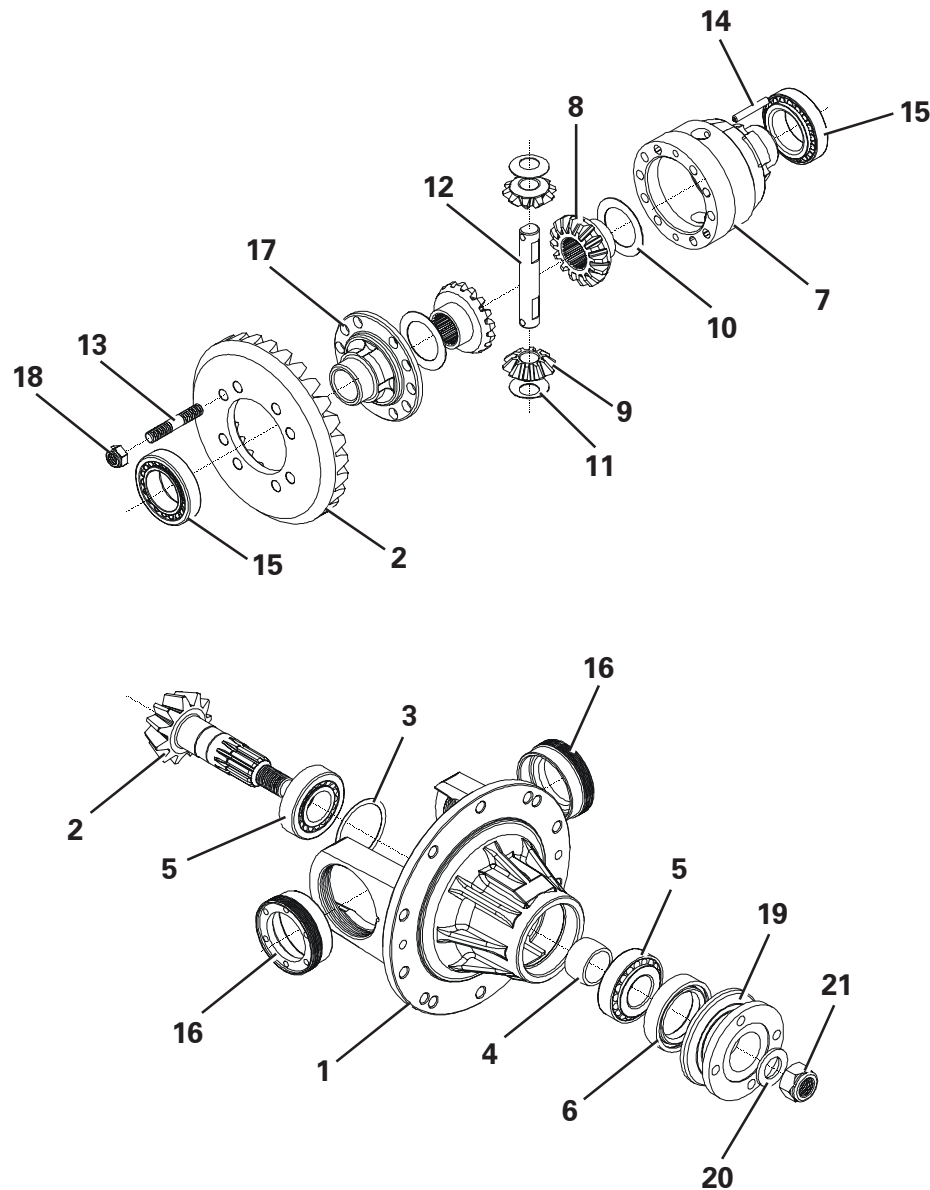
FRONT AXLE - MAIN CASE

Item	Part No.	Description	Qty	U/M
A	T101010	AXLE-HYD FRONT	1.0	EA
1	T3019	DOWEL PIN	2.0	EA
2	T52937	MAIN CASE	1.0	EA
3	T52935	BOLT	10.0	EA
4*	T53442	BREATHER	1.0	EA
5	T4248	PLUG	2.0	EA
6	T5596	HYDRAULIC SEAL	2.0	EA
7	T3053	DOWEL PIN	4.0	EA
8	T50163	ANNULUS	2.0	EA
9	T52942	SUN GEAR	2.0	EA
10	T53130	AXLE ARM	2.0	EA
11	T52935	BOLT	24.0	EA
12	T3059	CIRCLIP	2.0	EA
13	T51794	SPACER	2.0	EA
14	T3056	DOWEL	6.0	EA
15	T51730	PLANET CARRIER	2.0	EA
16	T51793	PLANET PIN	6.0	EA
17	T2202	PLANET THRUST WASHER	12.0	EA
18	T50612	PLANET CAGE ROLLER	6.0	EA
19	T51792	PLANET GEAR	6.0	EA
20	T11315	BOLT	4.0	EA
21	T100867	PLAIN WASHER	4.0	EA
22	T14910	STOVER NUT	4.0	EA



Front Axle - Main Case - Hydrostatic - Phase 3

FRONT AXLE - DIFF. ASSEMBLY

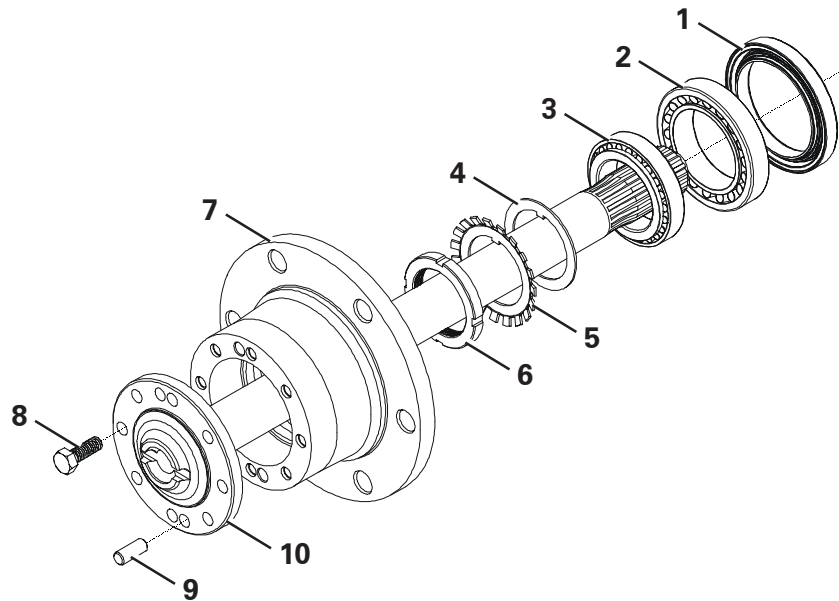


Item	Part No.	Description	Qty	U/M
1	T52929	PINION CARTRIDGE	1.0	EA
2	T3036	BEVEL WHEEL & PINION	1.0	EA
3	T50302	SHIM 0.25MM	A/R	EA
	T50303	SHIM 0.30MM	A/R	EA
	T50304	SHIM 0.40MM	A/R	EA
4	T2892	SPACER	1.0	EA
5	T2893	PINION BEARING	2.0	EA
6	T2891	OILSEAL	1.0	EA
7	T52930	DIFF CASE LH	1.0	EA
8	T50298	DIFF.WHEEL	2.0	EA
9	T50299	DIFF.PINION	2.0	EA
10	T2888	THRUST WASHER	2.0	EA
11	T3027	THRUST WASHER	2.0	EA
12	T2198	DIFF SPIDER	1.0	EA
13	T50300	STUD	8.0	EA
14	T2200	SPRING PIN	2.0	EA
15	T3716	TAPER BEARING	2.0	EA
16	T52939	BEARING ADJUSTER NUT	2.0	EA
17	T52931	DIFF CASE RH	1.0	EA
18	T52988	NUT	8.0	EA
19	T52811	FLANGE	1.0	EA
20	T3013	WASHER	1.0	EA
21	T3012	NUT FLANGE	1.0	EA

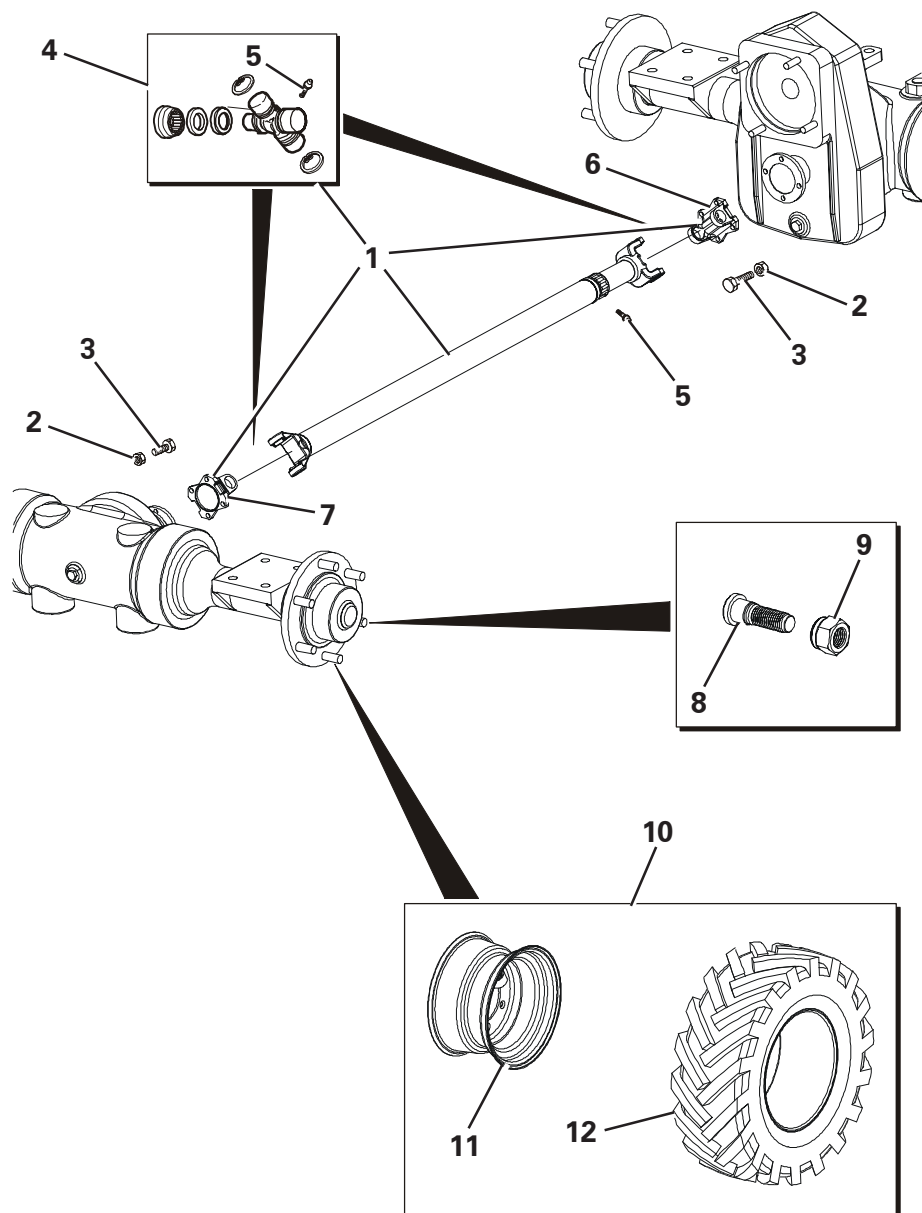
Front Axle - Diff Assembly - Hydrostatic - Phase 3

FRONT AXLE - HUB & ARM

Item	Part No.	Description	Qty	U/M
1	T52934	OIL SEAL	2.0	EA
2	T52933	BEARING	2.0	EA
3	T52740	BEARING	2.0	EA
4	T2968	SPACER	2.0	EA
5	T2964	LOCK WASHER	2.0	EA
6	T52936	LOCKNUT	2.0	EA
7	T53022	HUB	2.0	EA
8	T52935	BOLT	16.0	EA
9	T3019	DOWEL PIN	4.0	EA
10	T53129	AXLE SHAFT	2.0	EA



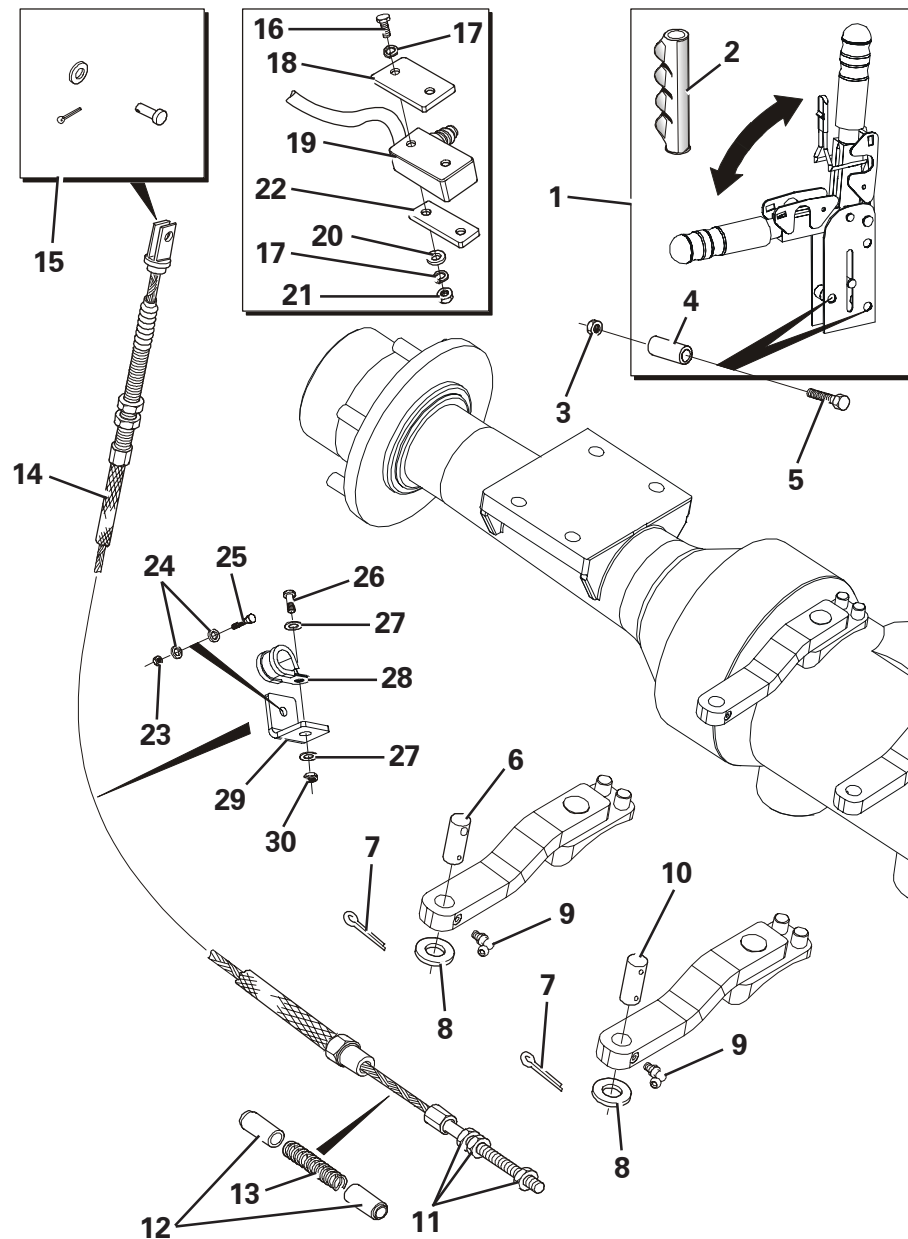
PROPSHAFT & WHEEL ASSEMBLY



Item	Part No.	Description	Qty	U/M
1	T101016	PROPSHAFT	1.0	EA
2	T7631	PHILIDAS NUT	8.0	EA
3	T7628	BOLT	8.0	EA
4	T52320	U.J.KIT	2.0	EA
5	T13454	GREASE NIPPLE	3.0	EA
6	T52321	FLANGE	1.0	EA
7	T53182	COUPLING	1.0	EA
8	T52739	WHEEL STUD	24.0	EA
9	T52747	WHEEL NUT	24.0	EA
10	T100945	WHEEL ASSEMBLY	4.0	EA
11	T100944	WHEEL RIM	1.0	EA
12	T20966	TYRE	1.0	EA

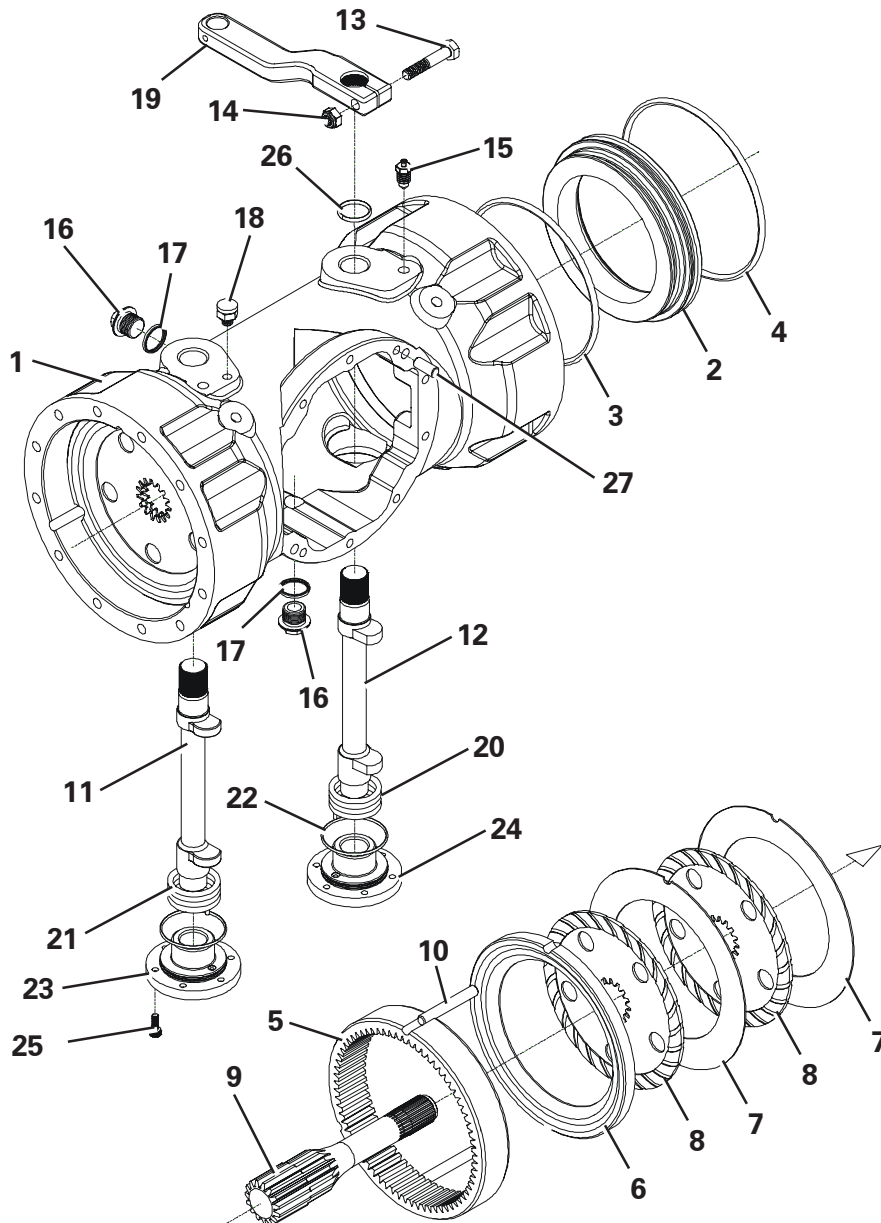
Propshaft and Wheel Assembly - Hydrostatic - Phase 3

HANDBRAKE ASSEMBLY



Item	Part No.	Description	Qty	U/M
1	T100893	OVERCENTRE HANDBRAKE	1.0	EA
2	T52947	GRIP	1.0	EA
3	T13064	NUT	3.0	EA
4	T10869	SPACER	3.0	EA
5	T16501	BOLT	3.0	EA
6	T12210	HANDBRAKE CABLE GUIDE	1.0	EA
7	T6751	SPLIT PIN	2.0	EA
8	T6766	WASHER	2.0	EA
9	T16587	GREASE NIPPLE	2.0	EA
10	T12211	HANDBRAKE CABLE STOP	1.0	EA
11	T6719	NUT	3.0	EA
12	T11768	SPRING SUPPORT	2.0	EA
13	T9722	GALVANISED HANDBRAKE SPRING	1.0	EA
14	T101375	HANDBRAKE CABLE	1.0	EA
15	T51714	CLEVIS PIN ASSY	1.0	EA
16	T13321	SET SCREW	2.0	EA
17	T11439	SPRING WASHER	2.0	EA
18	T13289	BACKING PLATE	1.0	EA
19	T100912	MICRO SWITCH	1.0	EA
20	T11440	WASHER	2.0	EA
21	T11447	NUT	2.0	EA
22	T101186	MICROSWITCH SPACER	1.0	EA
23	T16613	NYLOC NUT	1.0	EA
24	T16612	PLAIN WASHER	2.0	EA
25	T16610	CHEESE HEAD SCREW	1.0	EA
26	T16476	SET BOLT	1.0	EA
27	T13911	FLAT WASHER	2.0	EA
28	T101339	`P` CLIP	1.0	EA
29	T101283	`P` CLIP BRACKET	1.0	EA
30	T16481	NYLOC NUT	1.0	EA

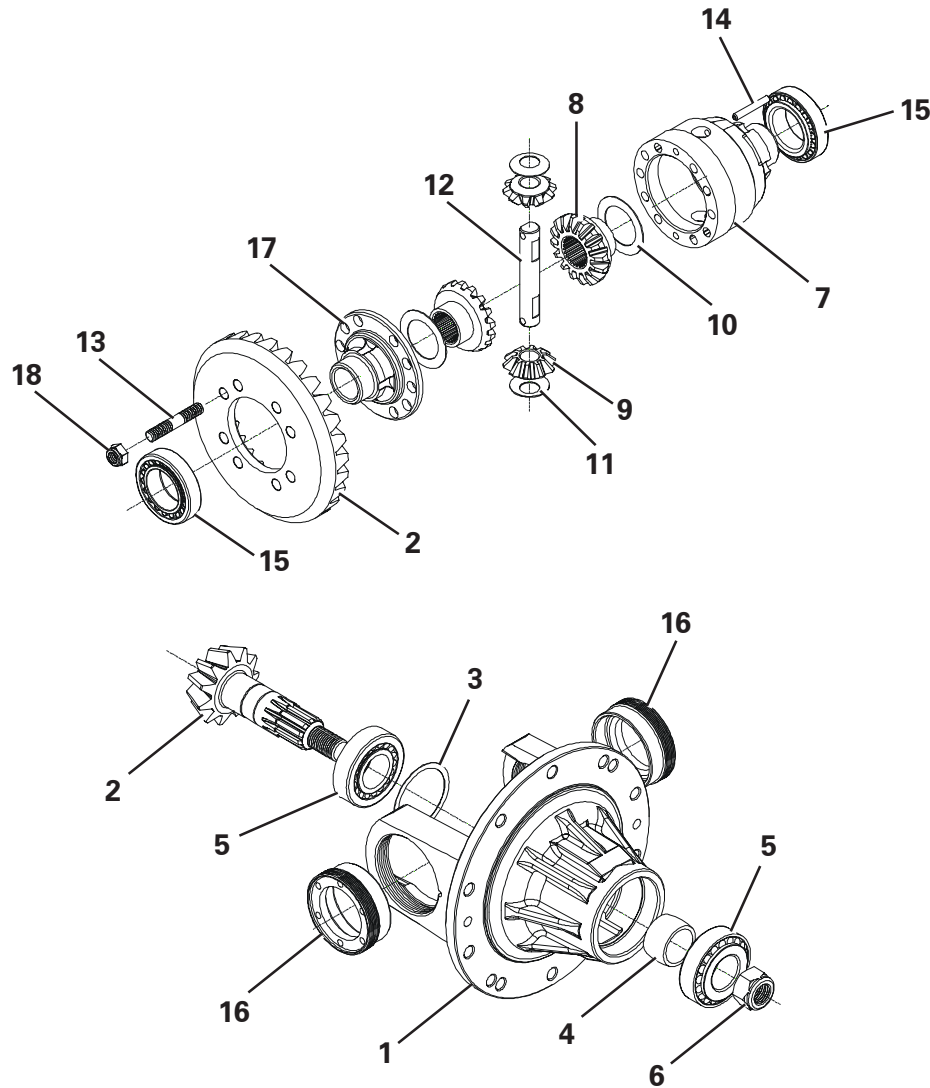
REAR AXLE - MAIN CASE



Item	Part No.	Description	Qty	U/M
A	T101009	AXLE-HYD REAR	1.0	EA
1	T53131	MAIN CASE	1.0	EA
2	T3049	BRAKE PISTON	2.0	EA
3	T3048	'O' RING	2.0	EA
4	T3047	'O' RING	2.0	EA
5	T50163	ANNULUS	2.0	EA
6	T53192	SPACER PLATE	2.0	EA
7	T53193	BRAKE PLATE	4.0	EA
8	T53194	BRAKE DISC	4.0	EA
9	T53132	SUN GEAR	2.0	EA
10	T3053	DOWEL PIN	4.0	EA
11	T53127	BRAKE LEVER LH	1.0	EA
12	T53128	BRAKE LEVER RH	1.0	EA
13	T52767	BOLT	2.0	EA
14	T52988	NUT	2.0	EA
15	T3038	BLEED NIPPLE	1.0	EA
16	T4248	PLUG	2.0	EA
17	T5596	HYDRAULIC SEAL	2.0	EA
18*	T53442	BREATHER	1.0	EA
19	T52927	BRAKE LEVER	2.0	EA
20	T2394	SPRING	1.0	EA
21	T2393	SPRING	1.0	EA
22	T52790	'O' RING	2.0	EA
23	T52752	COVER LH	1.0	EA
24	T52753	COVER RH	1.0	EA
25	T53126	SCREW	12.0	EA
26	T52791	'O' RING	2.0	EA
27	T3019	DOWEL PIN	2.0	EA

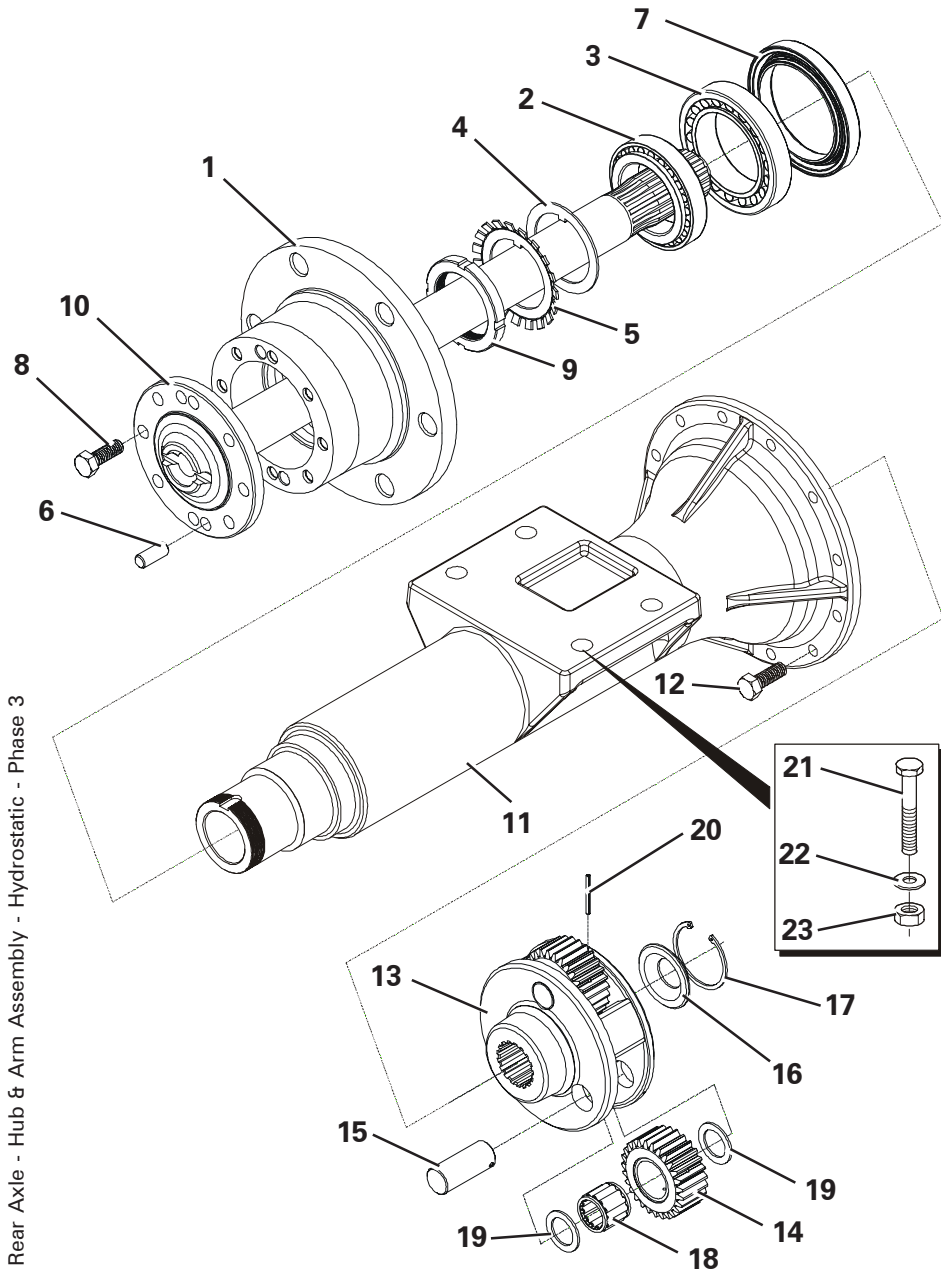
Rear Axle - Main Case and Brakes - Hydrostatic - Phase 3

REAR AXLE - DIFF. ASSEMBLY



Item	Part No.	Description	Qty	U/M
1	T53185	PINION CARTRIDGE	1.0	EA
2	T3036	BEVEL WHEEL & PINION	1.0	EA
3	T50302	SHIM 0.25MM	A/R	EA
	T50303	SHIM 0.30MM	A/R	EA
	T50304	SHIM 0.40MM	A/R	EA
4	T52730	SPACER	1.0	EA
5	T2893	PINION BEARING	2.0	EA
6	T3012	NUT FLANGE	1.0	EA
7	T52930	DIFF CASE LH	1.0	EA
8	T50298	DIFF.WHEEL	2.0	EA
9	T50299	DIFF.PINION	2.0	EA
10	T2888	THRUST WASHER	2.0	EA
11	T3027	THRUST WASHER	2.0	EA
12	T2198	DIFF SPIDER	1.0	EA
13	T50300	STUD	8.0	EA
14	T2200	SPIROL PIN	2.0	EA
15	T3716	TAPER BEARING	2.0	EA
16	T52781	BEARING ADJUSTER NUT	2.0	EA
17	T52931	DIFF CASE RH	1.0	EA
18	T52988	NUT	8.0	EA

REAR AXLE - HUB & ARM

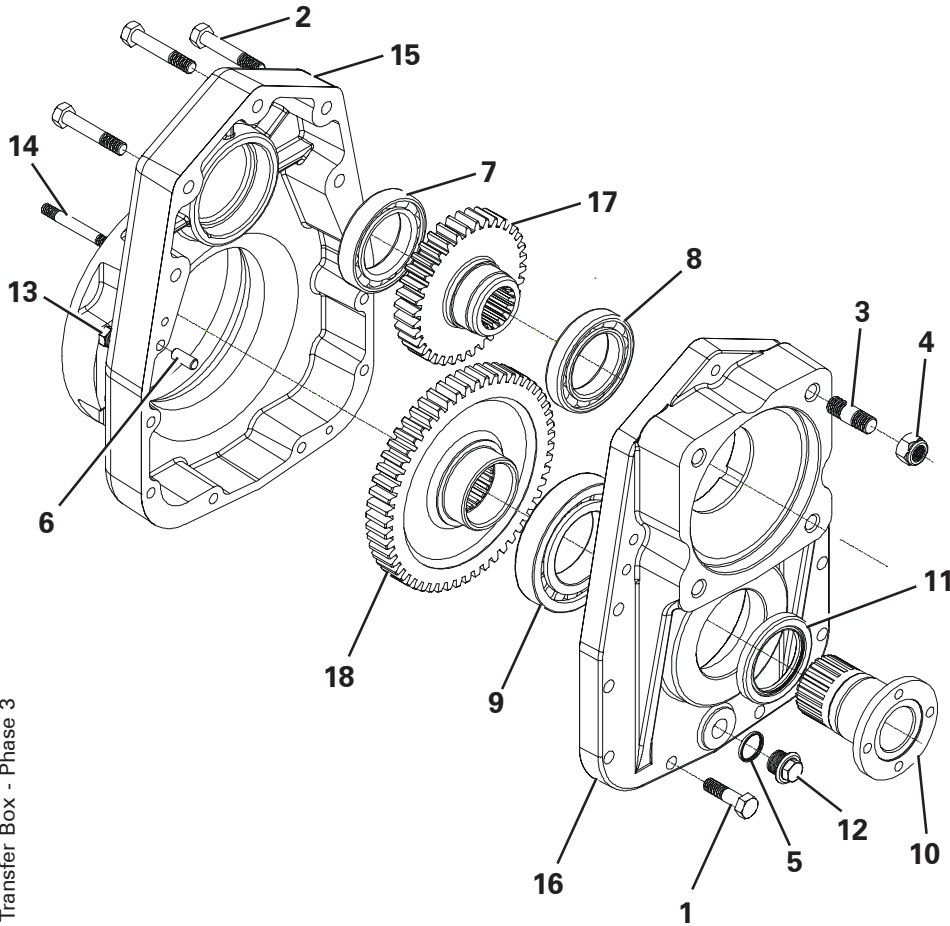


Item	Part No.	Description	Qty	U/M
1	T53022	HUB	2.0	EA
2	T52740	BEARING	2.0	EA
3	T52933	BEARING	2.0	EA
4	T2968	SPACER	2.0	EA
5	T2964	LOCK WASHER	2.0	EA
6	T3019	DOWEL PIN	4.0	EA
7	T52934	OIL SEAL	2.0	EA
8	T52935	BOLT	16.0	EA
9	T52936	LOCKNUT	2.0	EA
10	T53129	AXLE SHAFT	2.0	EA
11	T53130	AXLE ARM	2.0	EA
12	T52935	BOLT	24.0	EA
13	T51730	PLANET CARRIER	2.0	EA
14	T51792	PLANET GEAR	6.0	EA
15	T51793	PLANET PIN	6.0	EA
16	T51794	SPACER	2.0	EA
17	T3059	CIRCLIP	2.0	EA
18	T50612	PLANET CAGE ROLLER	6.0	EA
19	T2202	PLANET THRUST WASHER	12.0	EA
20	T3056	DOWEL	6.0	EA
21	T11315	BOLT	4.0	EA
22	T100867	PLAIN WASHER	4.0	EA
23	T14910	STOVER NUT	4.0	EA

Rear Axle - Hub & Arm Assembly - Hydrostatic - Phase 3

REAR AXLE - TRANSFER BOX

Item	Part No.	Description	Qty	U/M
1	T52768	SCREW	10.0	EA
2	T52769	BOLT	3.0	EA
3	T50625	STUD	4.0	EA
4	T53186	NUT	4.0	EA
5	T50423	BOND SEAL	1.0	EA
6	T2731	DOWEL	2.0	EA
7	T52771	BEARING	1.0	EA
8	T52772	BEARING	1.0	EA
9	T52773	ROLLER BEARING	1.0	EA
10	T52774	DRIVE FLANGE	1.0	EA
11	T52775	OIL SEAL	1.0	EA
12	T4248	PLUG	1.0	EA
13	T52988	NUT	10.0	EA
14	T53188	STUD	10.0	EA
15	T52777	TRANSFER CASE LH	1.0	EA
16	T53189	TRANSFER CASE RH	1.0	EA
17	T53190	INPUT PINION 36T	1.0	EA
18	T53191	INPUT WHEEL 55T	1.0	EA



OPTIONAL EXTRAS

Part No.	Description	Qty	U/M
T100133	ROTATING BEACON	1.0	EA
T100308	XENON BEACON	1.0	EA
KIT 72	ACCESSORIES - REVERSE ALARM	1.0	EA
KIT 242	ACCESSORIES - ELECTRONIC SHUTDOWN	1.0	EA
T100743	ANTI SLIP PADS (MUDGUARDS)	4.0	EA
T101155	ACCESSORIES - ROPS FRAME KIT	1.0	EA
T101156	ACCESSORIES - HINGED ROPS FRAME KIT	1.0	EA
KIT 275	TRANSFER SET - 2 TONNE	1.0	EA

MODIFIED AND ADDITIONAL PARTS

Old Part No.	Qty	Description	Page	Item	Prefix	New Part No.
T100960	1.0	SLEW RAM	25	1	2	T102157
T53155	1.0	PISTON HEAD	25	5	2	T53382
T53158	1.0	SEAL KIT	25	6	2	T53478
T51591	1.0	GLAND	25	7	2	T53479
T16587	2.0	GREASE NIPPLE	25	8	2	T53477
T53157	1.0	ROD ASSEMBLY	25	9	2	T53476
T53156	2.0	SPHERICAL BEARING	25	10	2	T53379
T100966	1.0	TIPPING RAM	26	1	2	T102154
T53159	1.0	ROD ASSEMBLY	26	7	2	T53480
T16586	2.0	GREASE NIPPLE	26	8	2	T53445
T53163	1.0	SEAL KIT	26	9	2	T53485
T53160	1.0	GLAND	26	10	2	T53482
T53161	1.0	SNAP RING	26	11	2	DELETED
T53162	1.0	CIRCLIP	26	12	2	DELETED
ADDED	1.0	GRUB SCREW	26	13	2	T53484
ADDED	1.0	PISTON HEAD	26	14	2	T53483
ADDED	1.0	SPACER	26	15	2	T53481
T101110	1.0	STEERING RAM	27	1	2	T102156
T13454	1.0	GREASE NIPPLE	27	8	2	T53477
T53122	1.0	ROD ASSEMBLY	27	9	2	T53486
T2162	2.0	SPHERICAL BEARING	27	10	2	T53379
T53123	1.0	SEAL KIT	27	11	2	T53384
T50492	1.0	GLAND	27	12	2	T53385
T50491	1.0	PISTON HEAD	27	13	2	T53386
T51599	1.0	TENSION PIN	27	-	2	NOW IN T53384
ADDED	1.0	SPACER	27	14	2	T53487
T16587	1.0	GREASE NIPPLE	27	15	2	T53406
T101413	1.0	LIFT RAM	28	1	2	T102153
T50428	1.0	ROD ASSEMBLY	28	2	2	T53488
T16586	1.0	GREASE NIPPLE	28	3	2	T53489
T53164	1.0	SEAL KIT	28	4	2	T53490
T50429	1.0	GLAND	28	5	2	T53491

MODIFIED AND ADDITIONAL PARTS

Old Part No.	Qty	Description	Page	Item	Prefix	New Part No.
ADDED	4.0	PIN BUSH	28	11	2	T53499
ADDED	1.0	PISTON HEAD	28	12	2	T53492
ADDED	1.0	GREASE NIPPLE	28	13	2	T53445
101872	1.0	ENGINE	33	A	2	T102294
T101180	1.0	RADIATOR	39	12	-	T102402
T101842	1.0	REAR COVER ASSY	1	1	3	T102545
T102294	1.0	ENGINE	33	A	3	T102546
T52688	1.0	BELT	33	4	3	T53282
T53251	1.0	FAN	33	8	3	T53320
T101153	1.0	TOP RADIATOR MOUNTING	39	4	3	T102551
T102215	1.0	FUEL HOSE	40	24	3	T102556
T102214	1.0	FUEL HOSE	40	27	3	T102556
T101265	1.0	SEAL REAR COVER HORIZONTAL	41	13	3	DELETED
T101266	3.0	SEAL	41	15	3	DELETED
T101735	1.0	RADIATOR SEAL	41	16	3	T102553
T101146	1.0	RADIATOR COWL	41	20	3	T102490
ADDED	1.0	SEAL REAR COVER - BOTTOM	41	21	3	T102552
ADDED	2.0	BLANKING CAP	25	22	-	T17556
T52588	1.0	FIBRE WASHER	21	19	-	T5830
T52282	1.0	DRAIN PLUG	21	20	-	T102431
T102542	1.0	DASH PANEL ASSY	16	3	4	T102850
T102491	1.0	DASH PANEL	16	6	4	T102847
T101131	4.0	CIRCUIT BREAKER 18AMP	16	7	4	T102845
T101133	6.0	CIRCUIT BREAKER SPLASHGUARD	16	8	4	T102846
T101149	2.0	CIRCUIT BREAKER 5AMP	16	22	4	T102844
T101092	2.0	BATTERY CLAMP	15	15	-	T102877

MODIFIED AND ADDITIONAL PARTS TO AXLES - T101010

Old Part No.	Qty	Description	Page	Item	Serial No.	New Part No.
T52750	1.0	BREATHER	42	4	-	T53442

MODIFIED AND ADDITIONAL PARTS TO AXLES - T101009

Old Part No.	Qty	Description	Page	Item	Serial No.	New Part No.
T52750	1.0	BREATHER	47	18	-	T53442

Service and Warranty

Thwaites give a warranty which, subject to certain conditions, gives an assurance as to the quality of their product.

The Thwaites warranty states:-

In the manufacture of Thwaites machines we endeavour to ensure that only the best workmanship and materials are used. Consequently, provided:-

1. The machine has been properly used in accordance with our recommendations and,
2. That no alterations have been made to the machine without prior written approval and,
3. That the machine has been maintained, serviced and lubricated in accordance with our recommendations and,
4. That Thwaites Warranty Certificate and/or New Machine Delivery Report has been completed and received by Thwaites within one month of delivery to the user.
5. That Thwaites receive a correctly completed Warranty Claim form within thirty days of the failure occurring.
6. **UK**
That the alleged defective parts are returned to Thwaites within 6 weeks of date of failure.
7. **All other territories**
That unless otherwise instructed the alleged defective parts are to be stored for inspection for a 6 month period from date of failure.

We will examine the alleged defective part and if we are reasonably satisfied that any defect is solely due to bad workmanship or materials, we will at our cost and at our option either repair any defective part or supply a replacement part in full discharge of all obligations upon us.

This warranty does not, however, extend to reconditioned or second-hand machines. For the avoidance of doubt, we will not entertain any other claims of a direct or consequential nature of whatsoever description and our responsibility is limited to the above.

The above warranty shall in no way detract from your statutory rights

Warranty

It is important to use only genuine Thwaites Limited spare parts and to adhere strictly to the conditions of operation and maintenance laid down by Thwaites Limited.

Your warranty may be invalidated if you do not comply with the above recommendations.